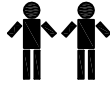


# ART. CLICK TOP WITH TABLE AND SHELF

MONTAGGIO - MOUNTING

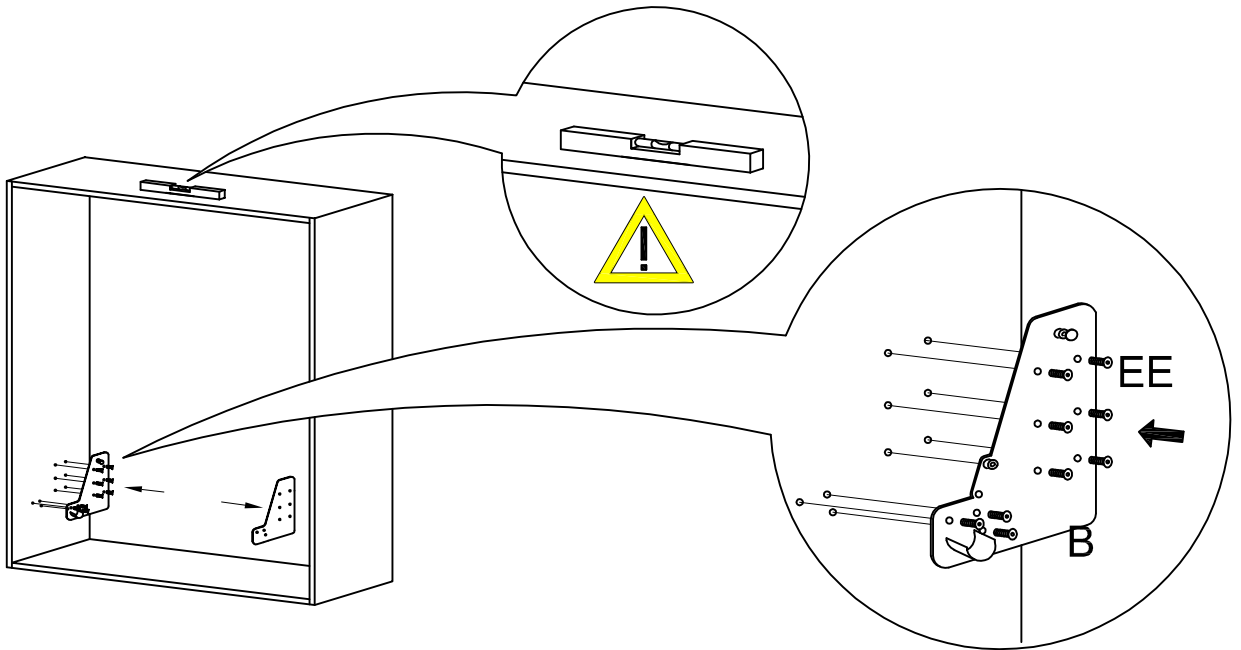


Assicuratevi di aver fissato il vostro mobile alla parete contro il ribaltamento, poichè le pareti sono di materiali diversi il fissaggio alla parete non è incluso

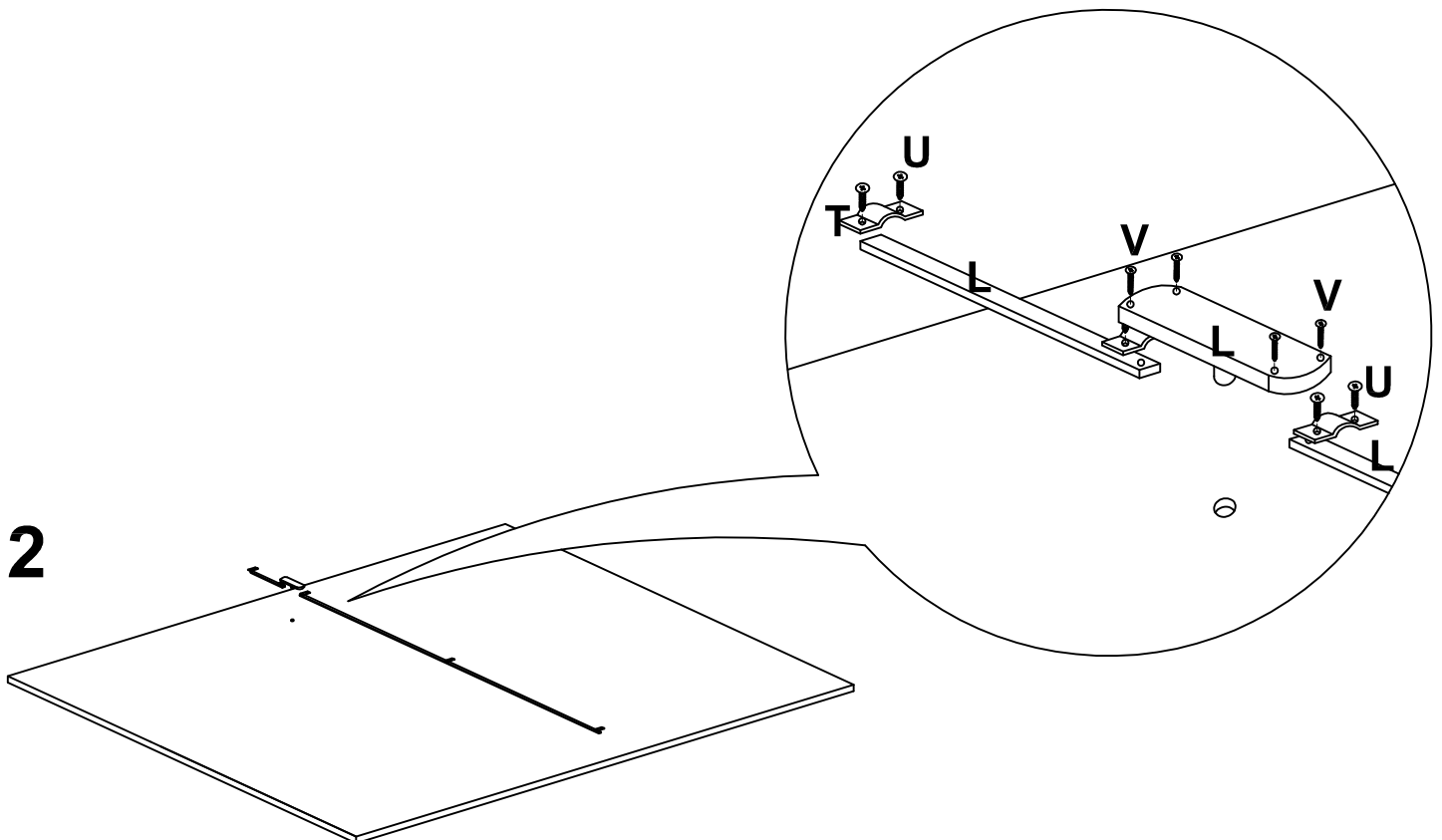
Make sure to fix your cabinet to the wall.

As wall materials vary, plates and screws for fixing to wall are not included.

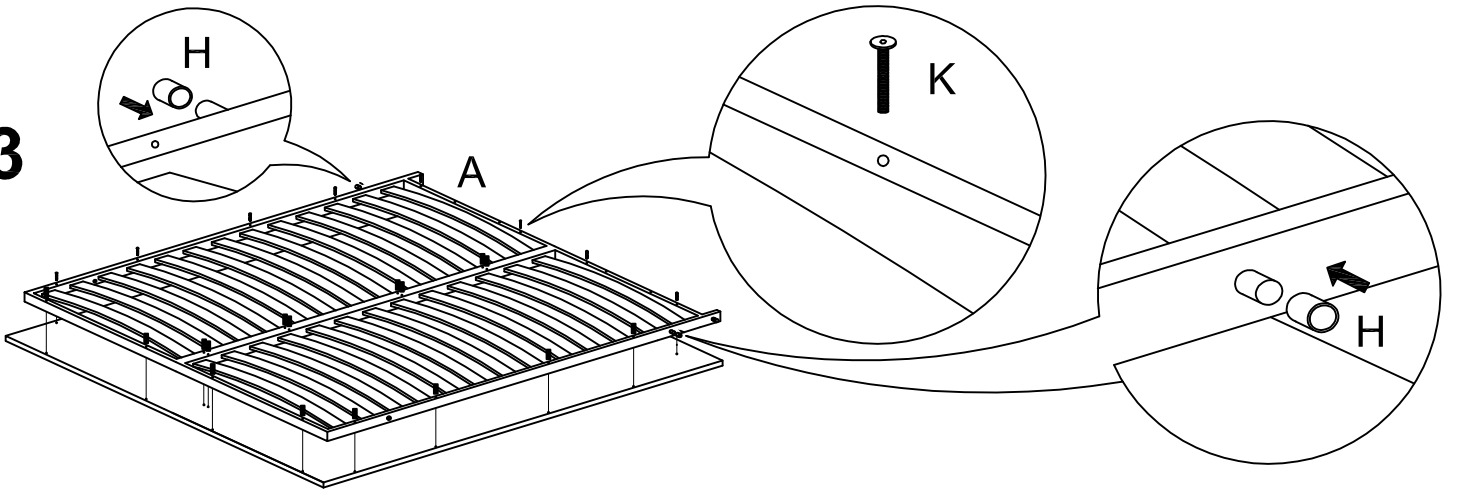
1



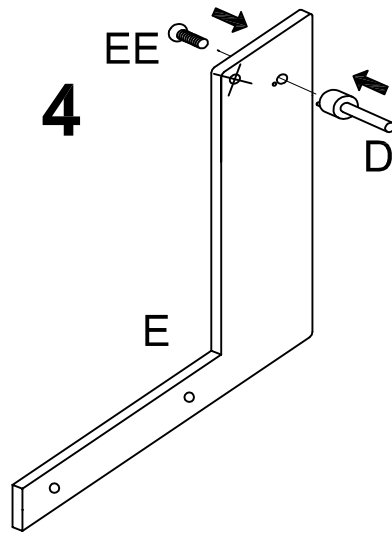
2



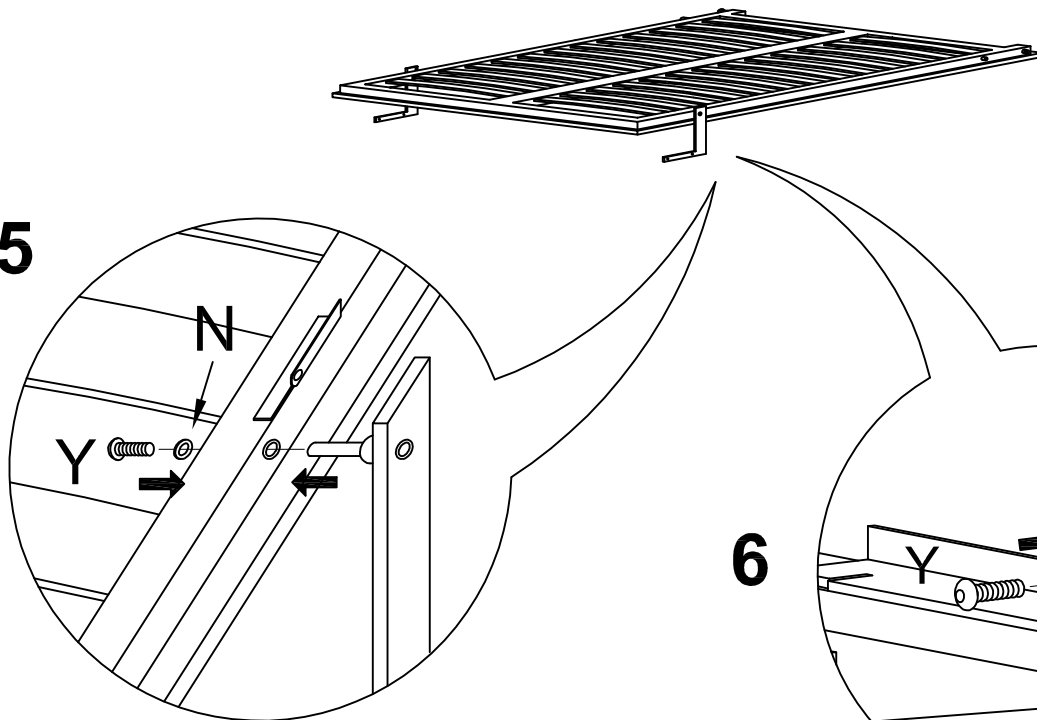
**3**



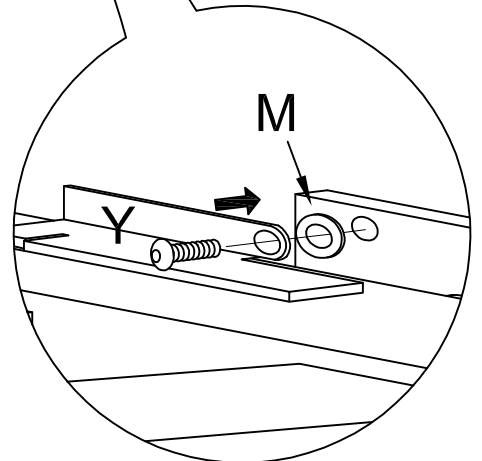
**4**

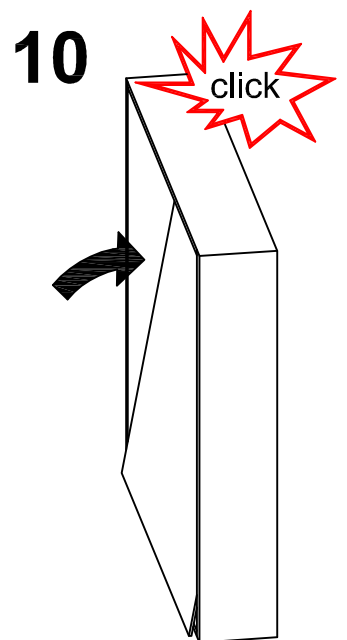
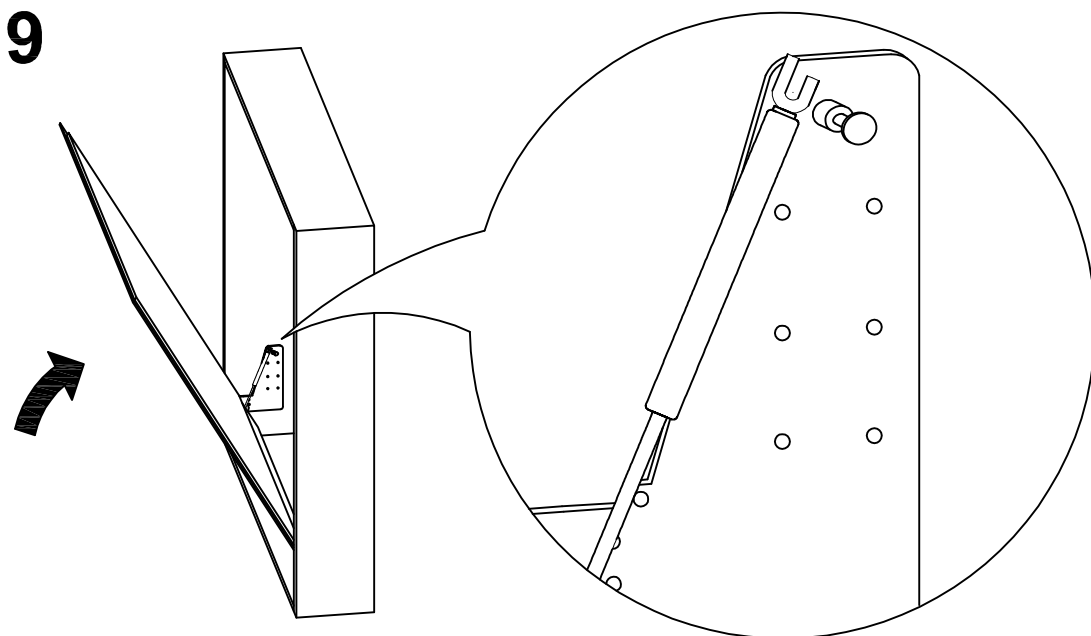
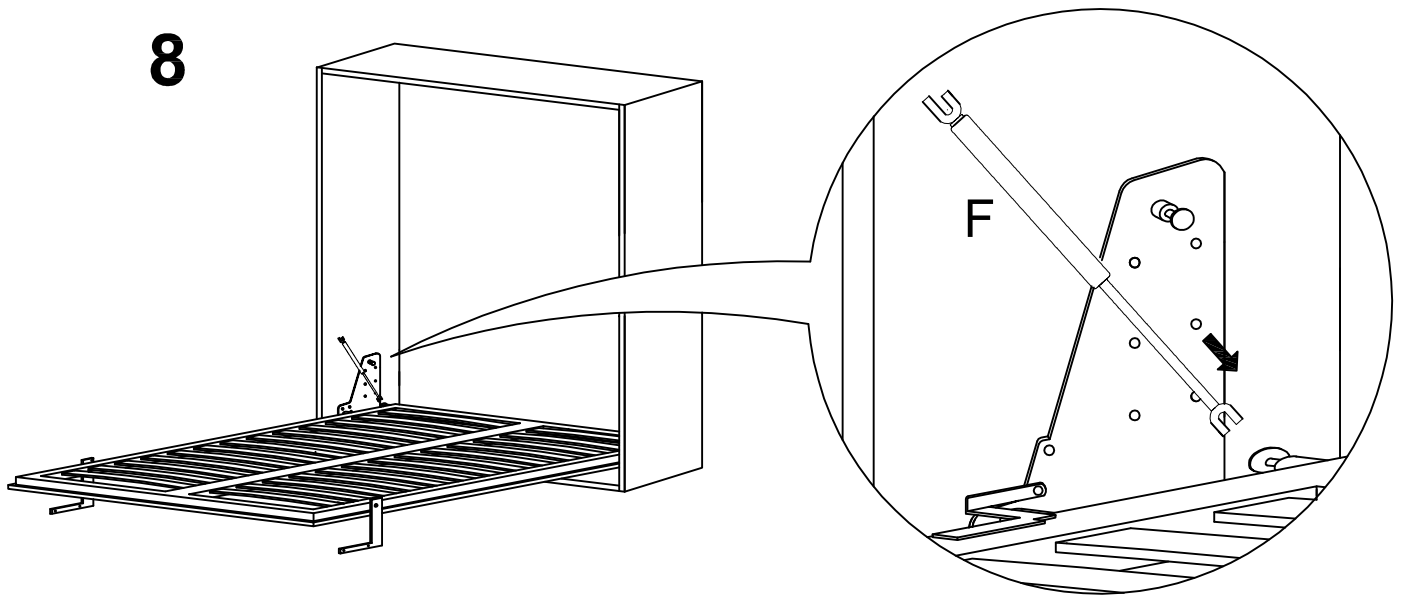
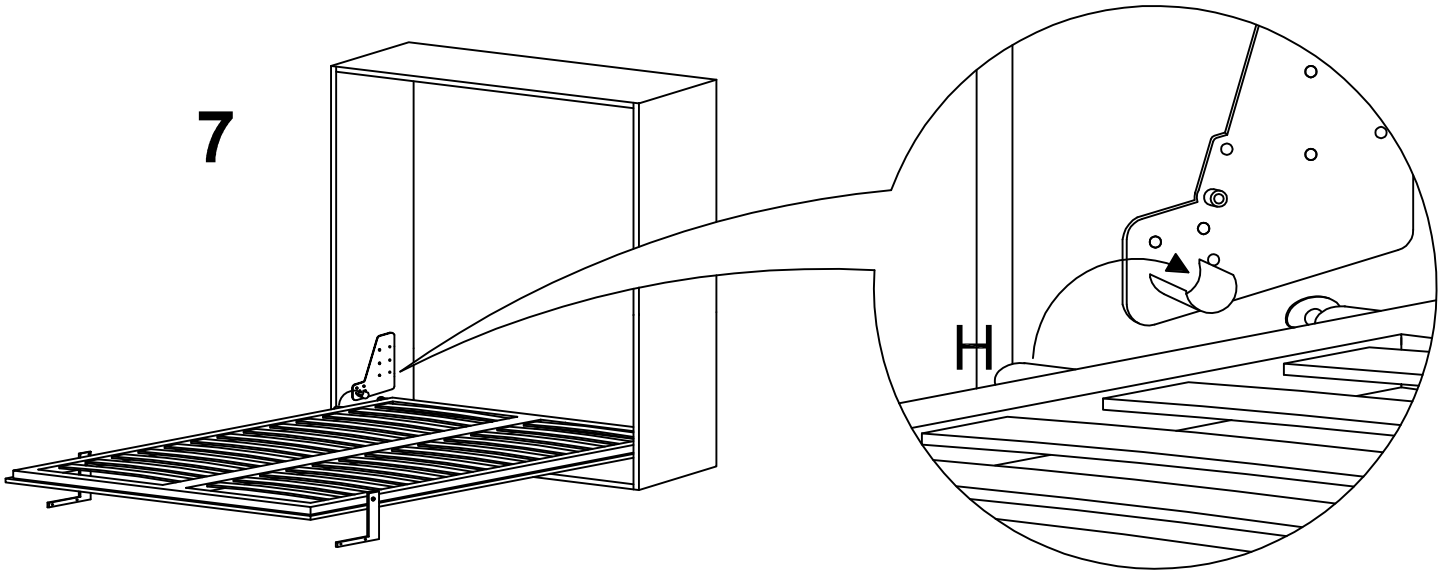


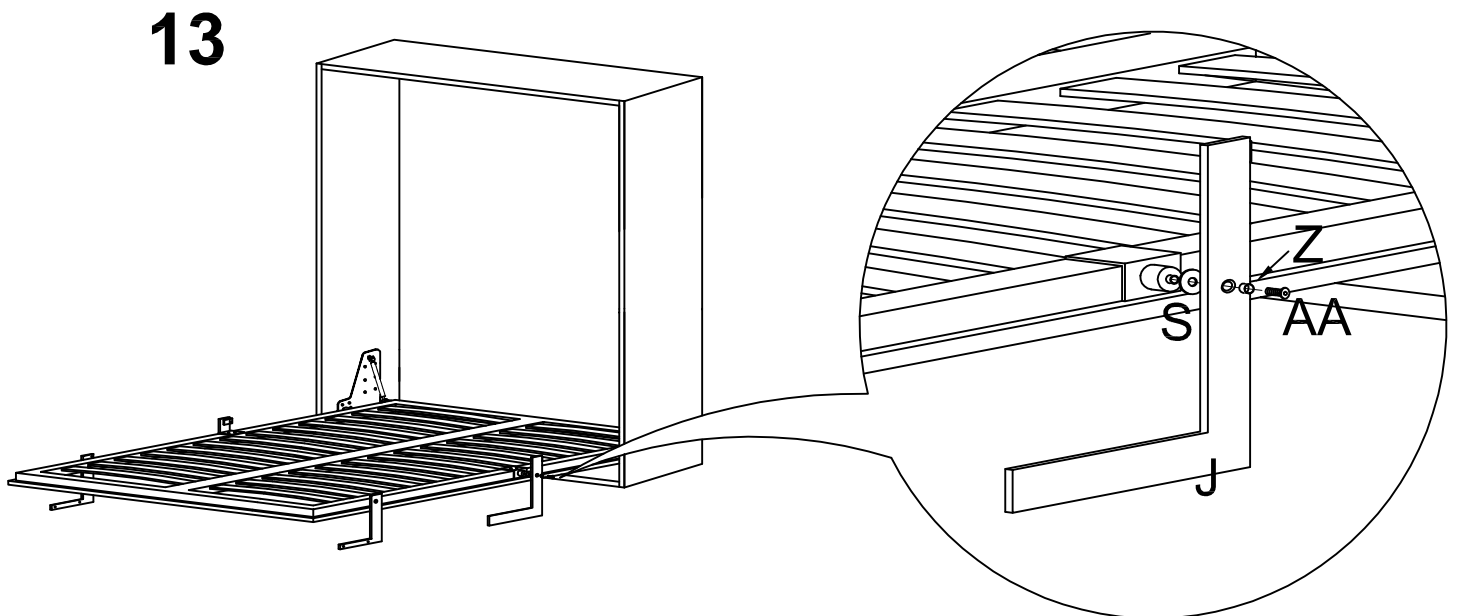
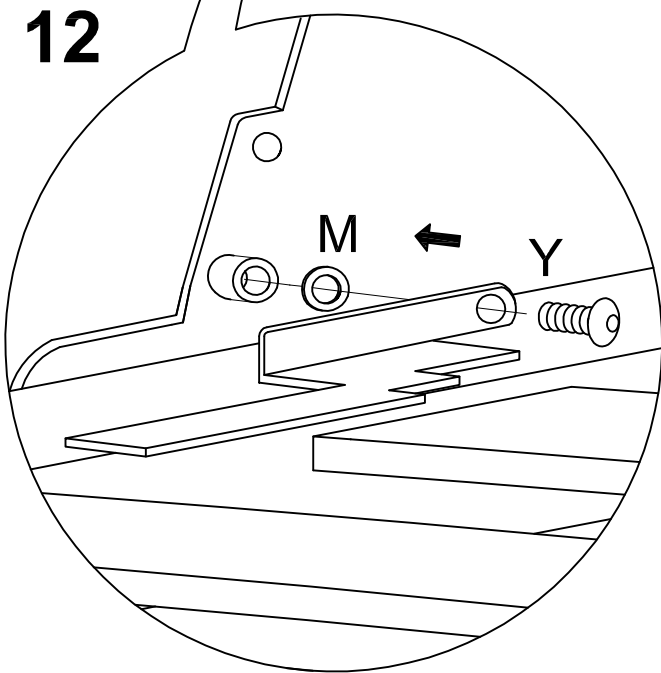
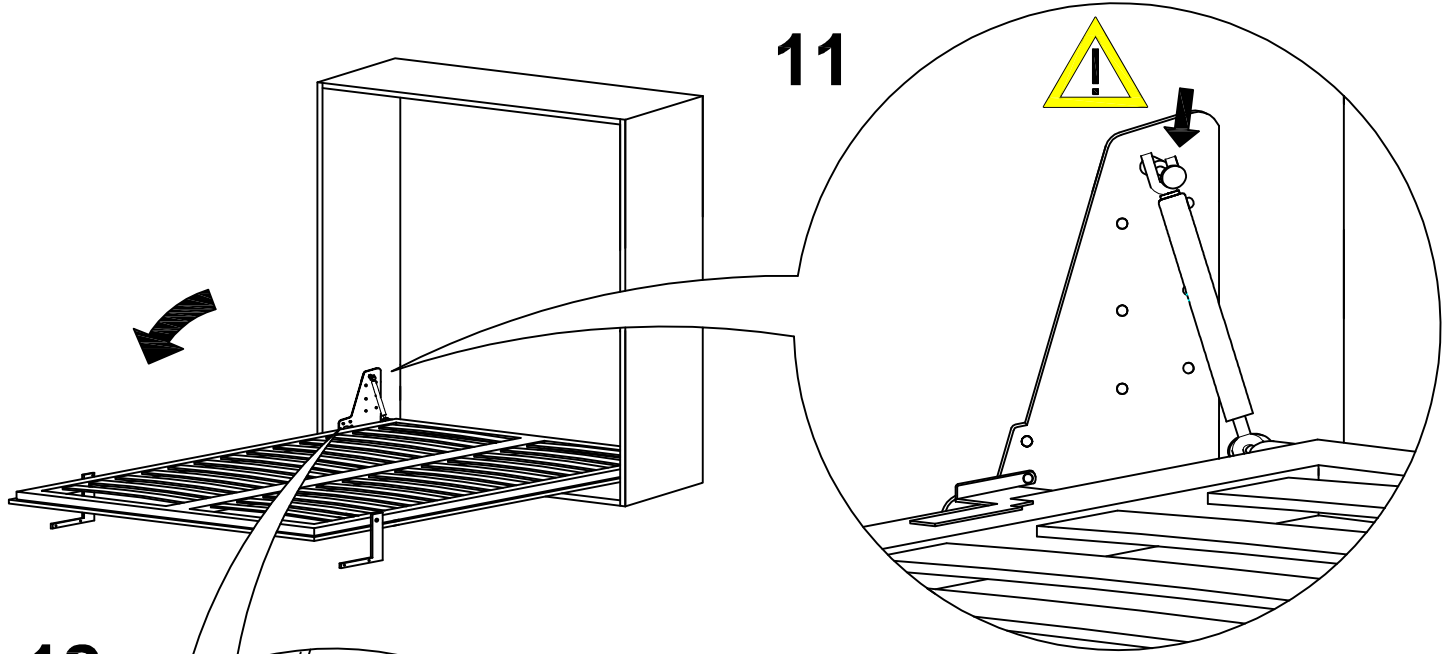
**5**



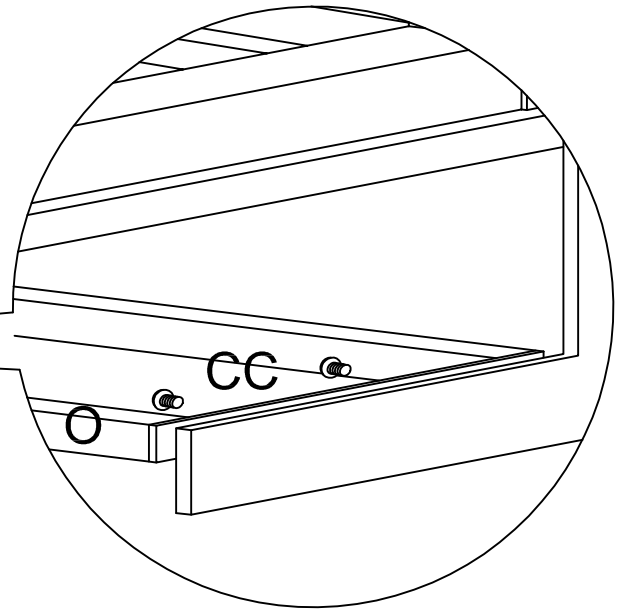
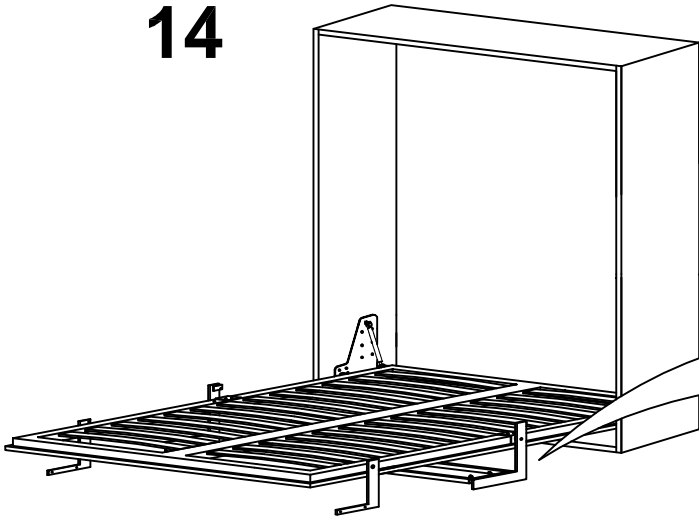
**6**



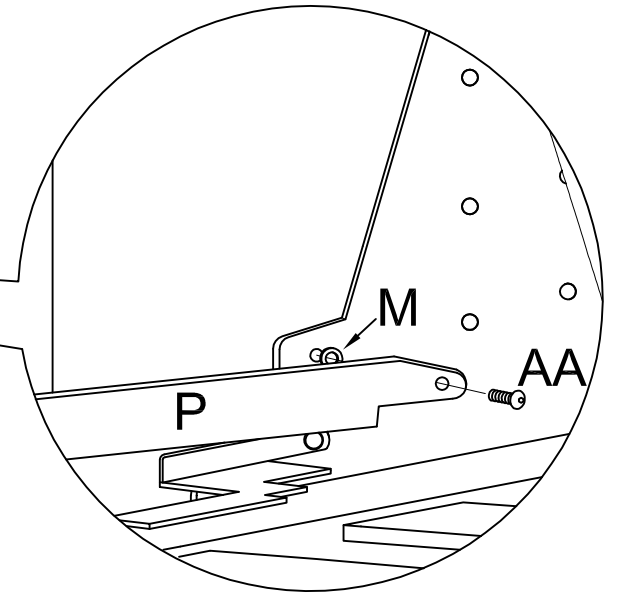
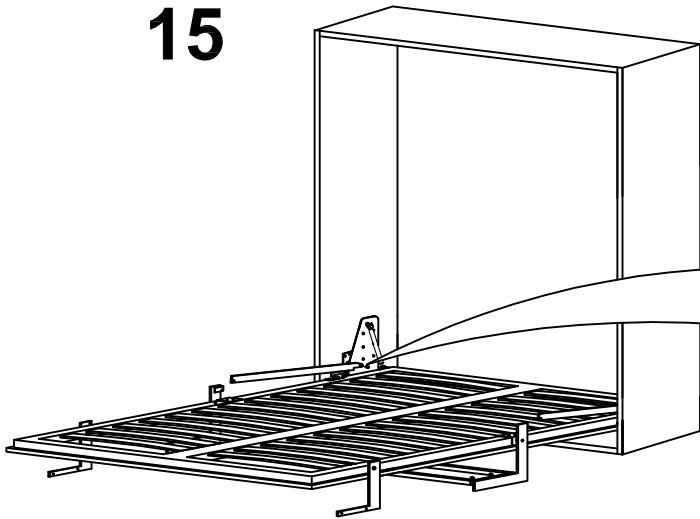




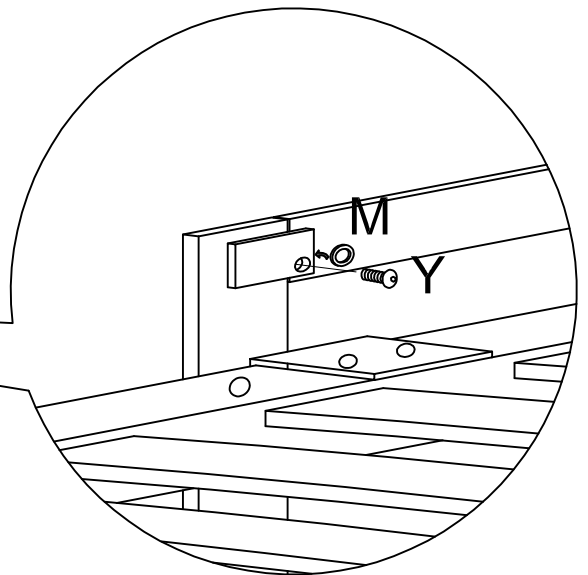
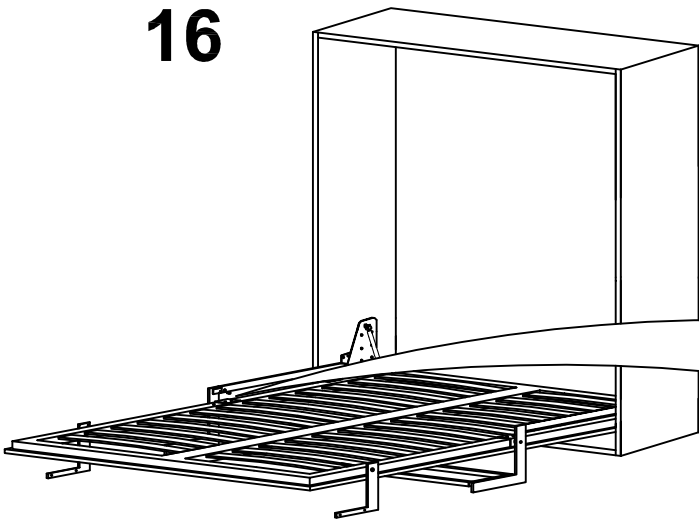
14



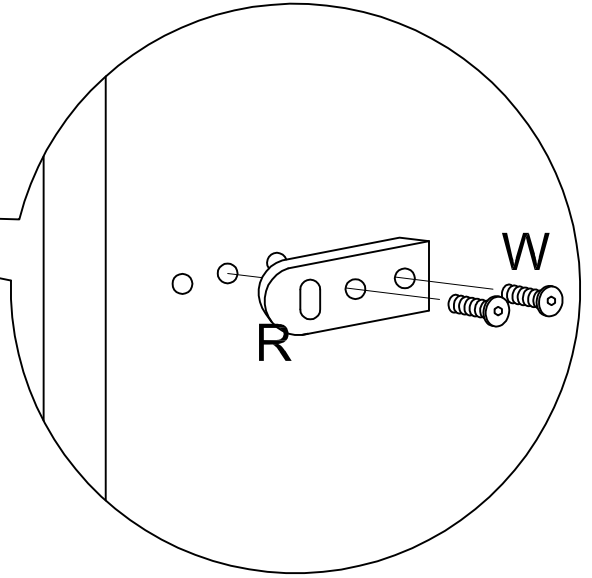
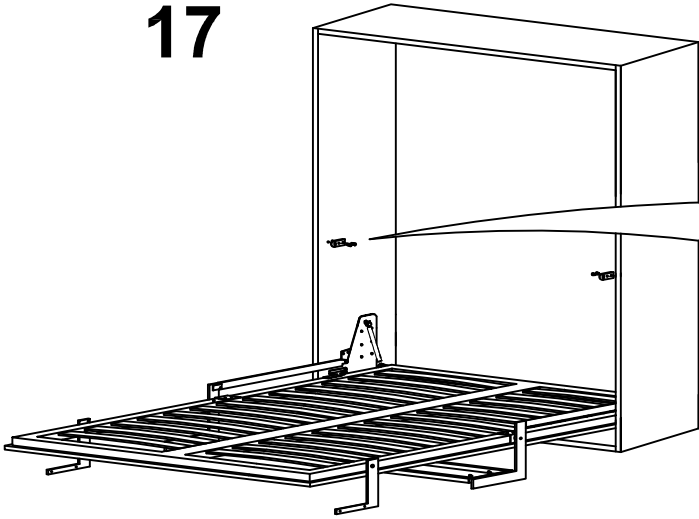
15



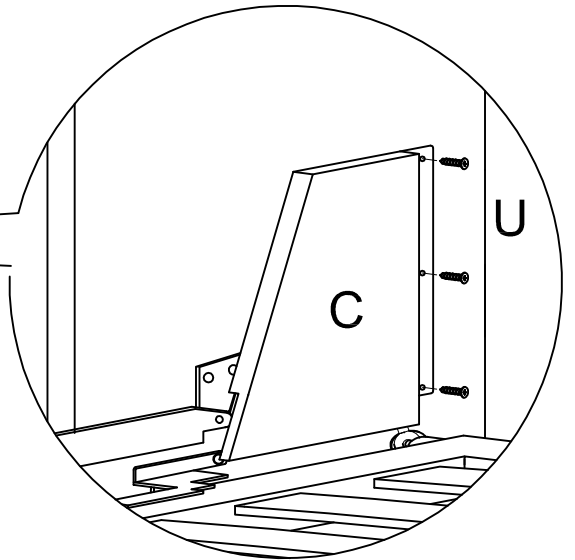
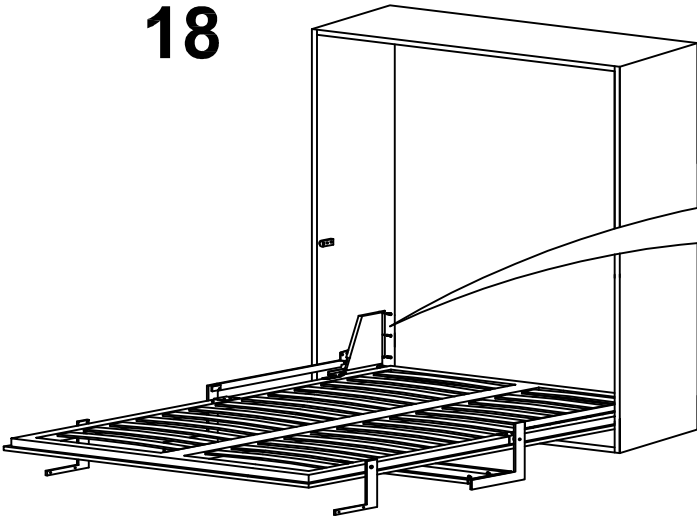
16



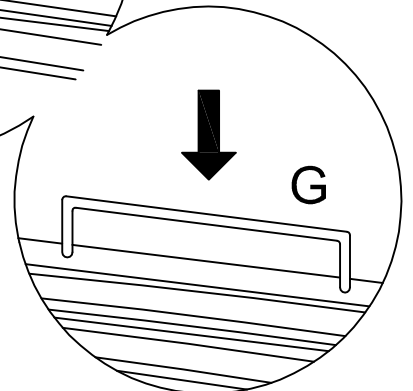
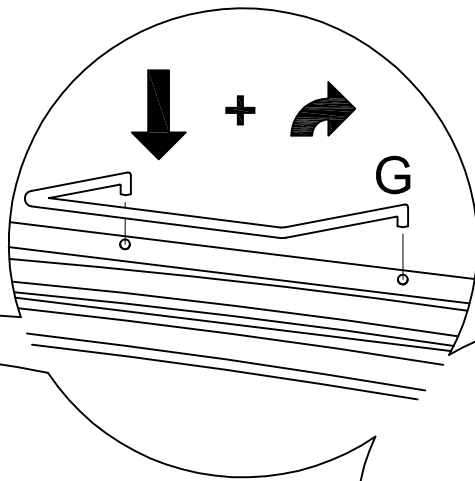
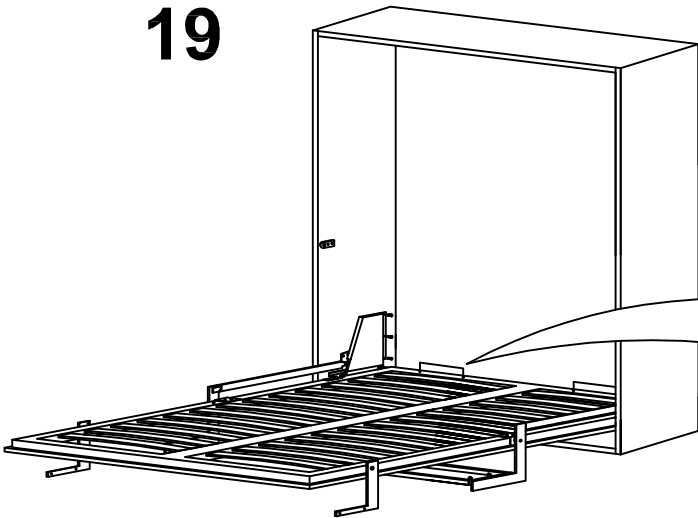
17



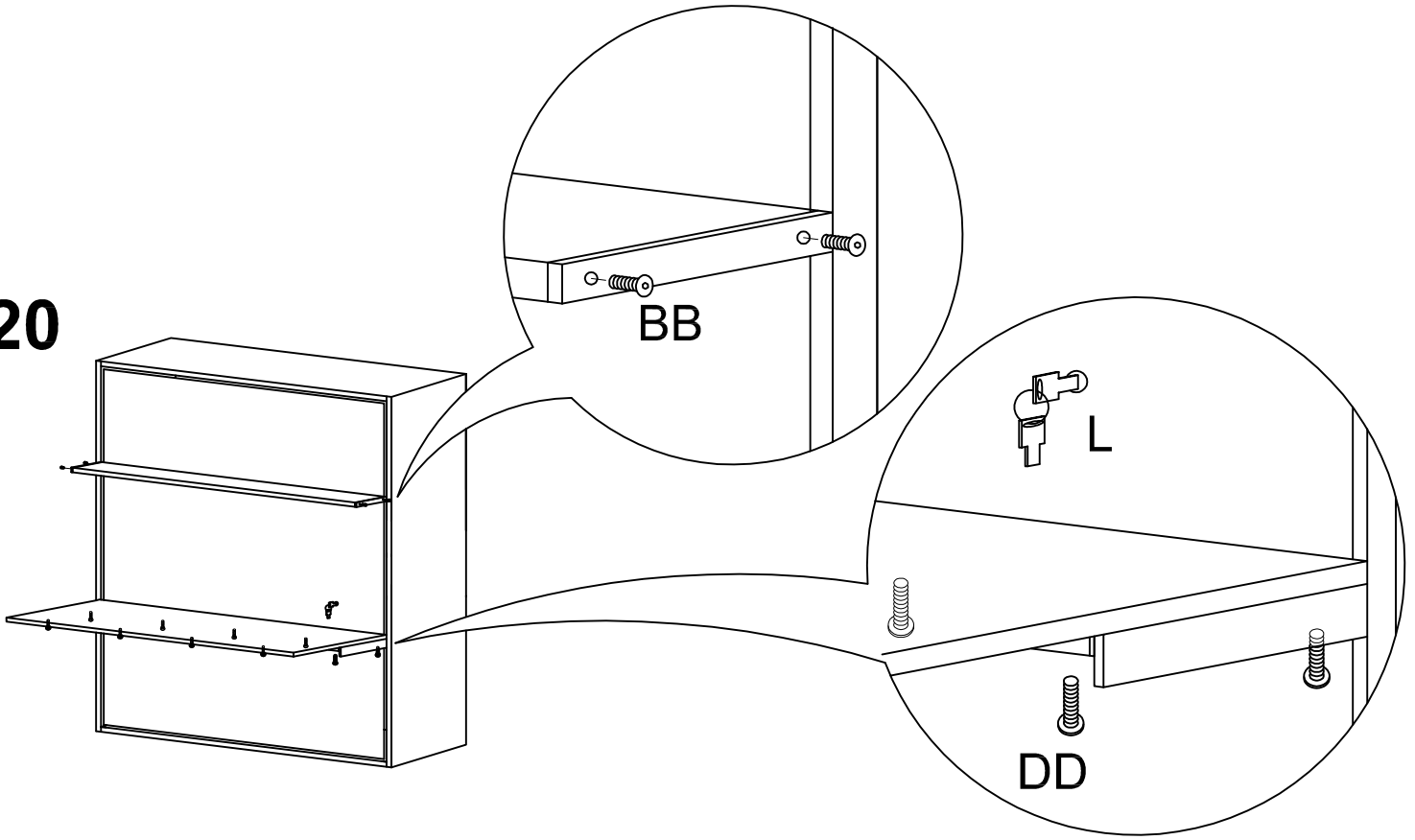
18



19

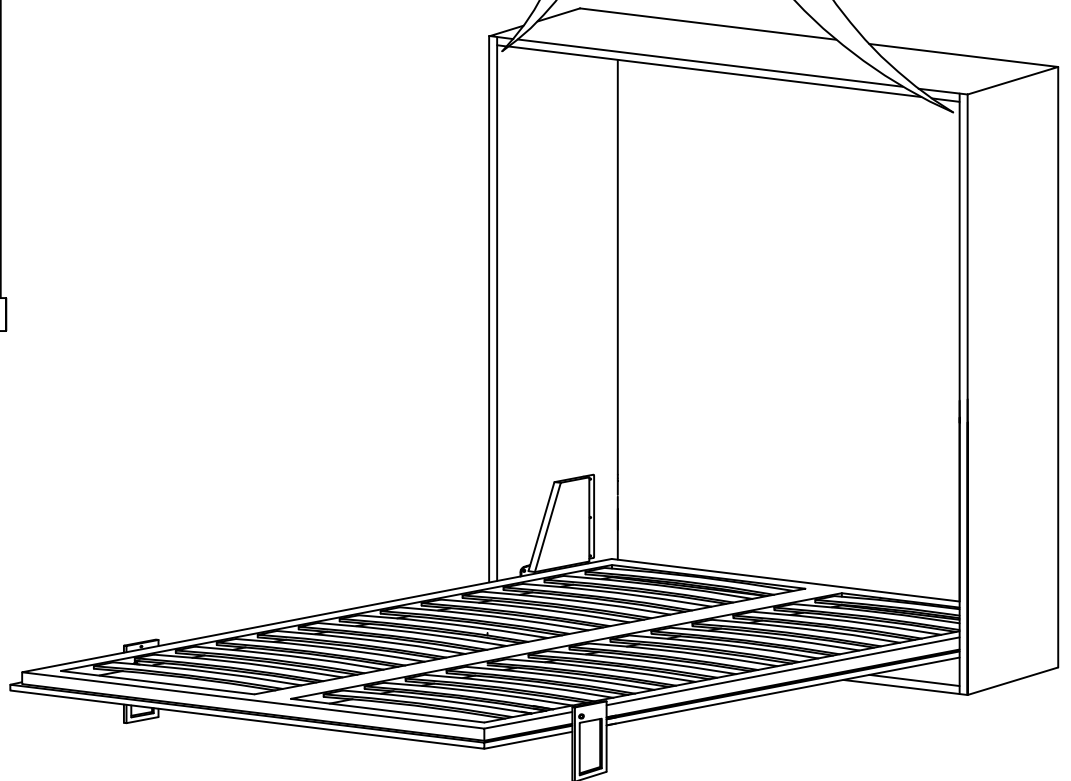
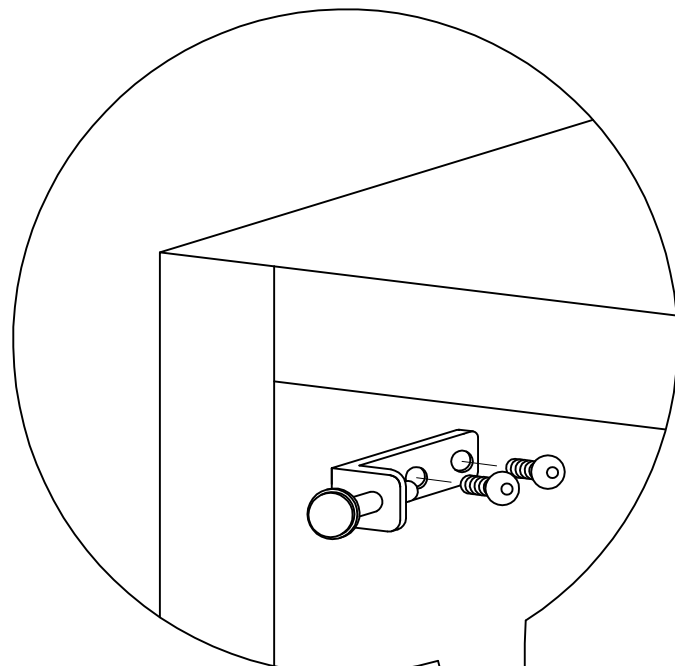


20



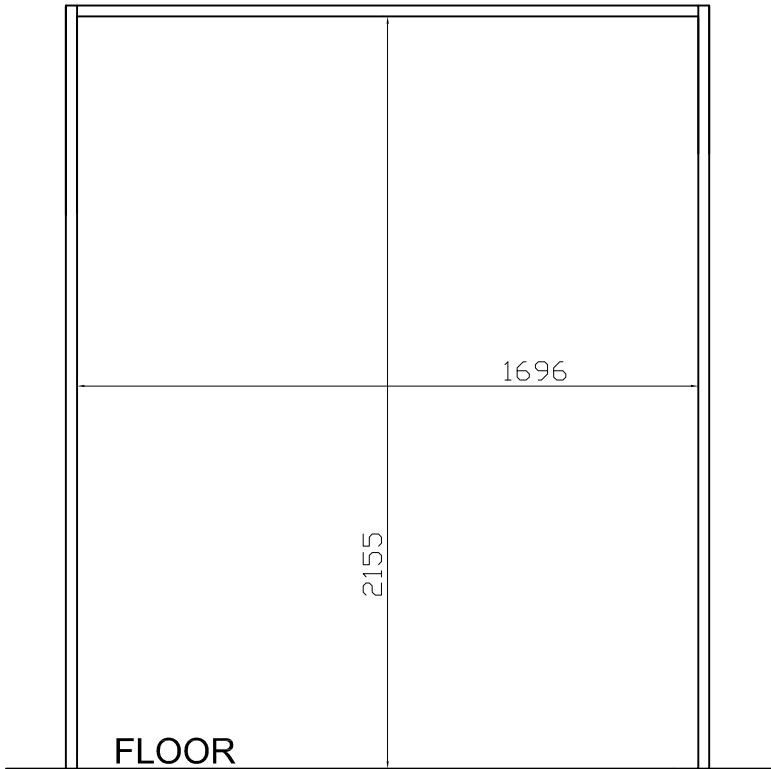
# A45 - PLATE FOR STOPPING DOOR PANEL

COMPASS 6MA





# CLICK-V TOP 1630x 2020



## **CABINET DIMENSIONS:**

INTERNAL WIDE 1696mm

HEIGHT FROM THE FLOOR 2155mm

BASAMENT HEIGHT MAX 30mm

if you change basament dimension you have to change door size and holes (\*)

## **EXAMPLE:**

BASAMENT HEIGHT 30mm

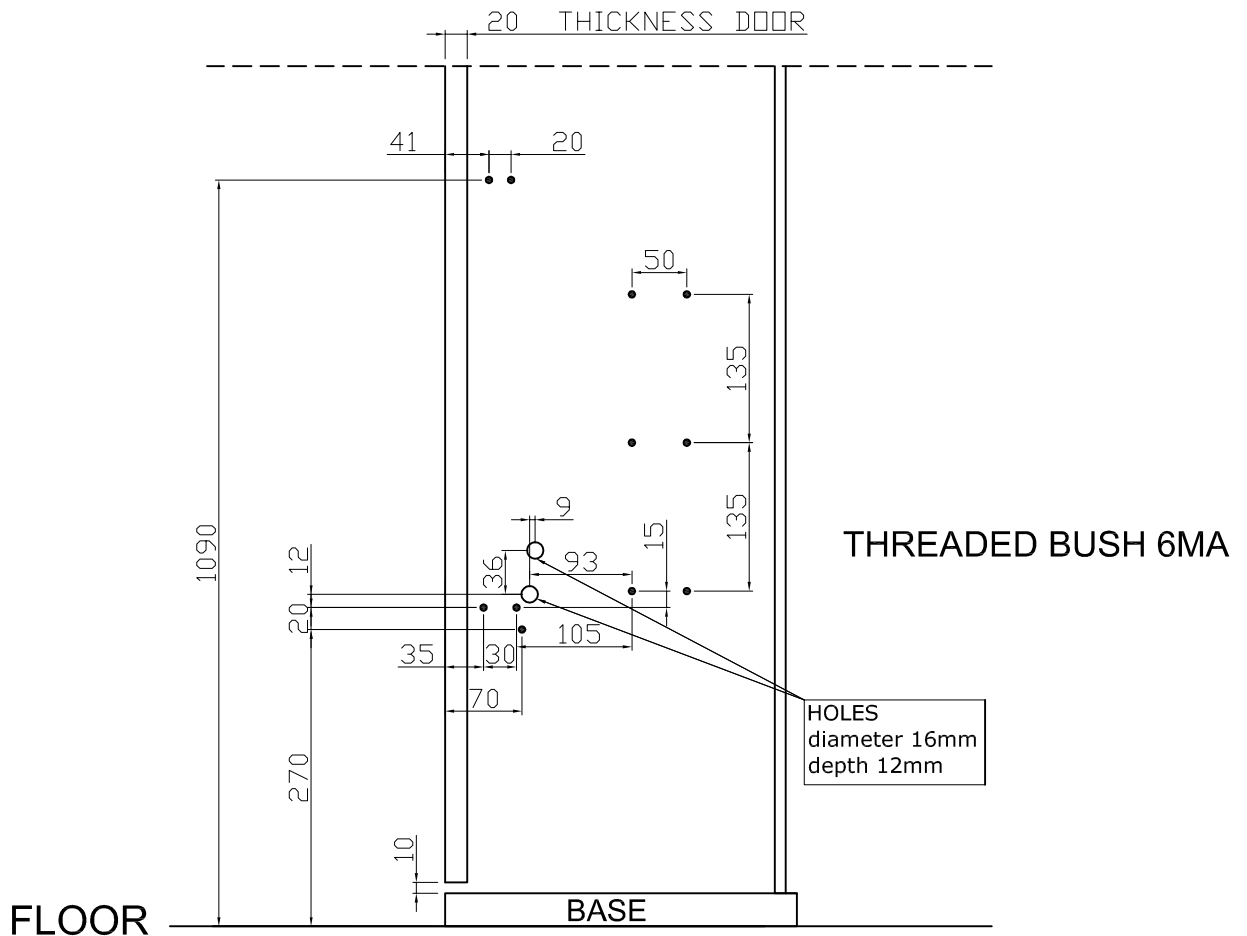
DOOR DIMENSION 1670x2105

## **DEPTH CABINET:**

**THICKNESS DOOR + 280mm +  
THICKNESS BACK PANEL**

METAL BASE DIMENSION: 1630x2020

## **HOLES FOR RIGHT AND LEFT SIDE**



## **FRONT PANEL + MATTRESS**

**WEIGHT 75 Kg**

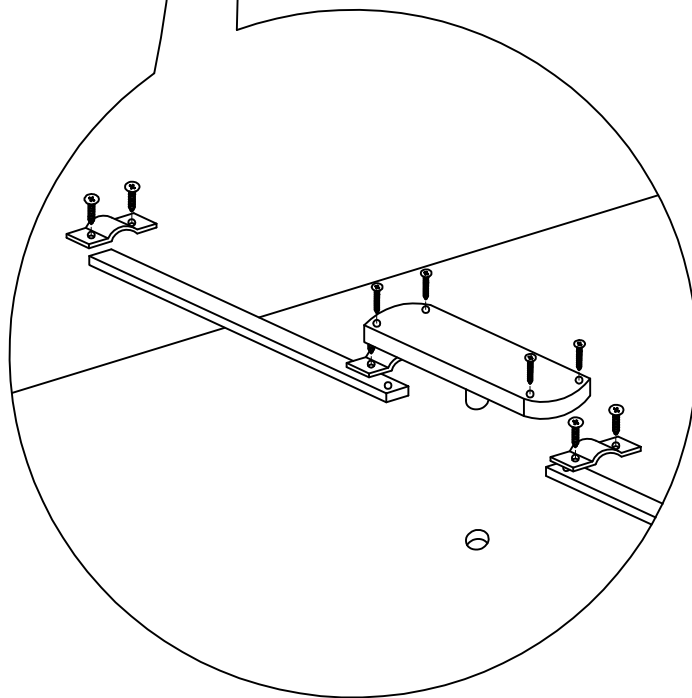
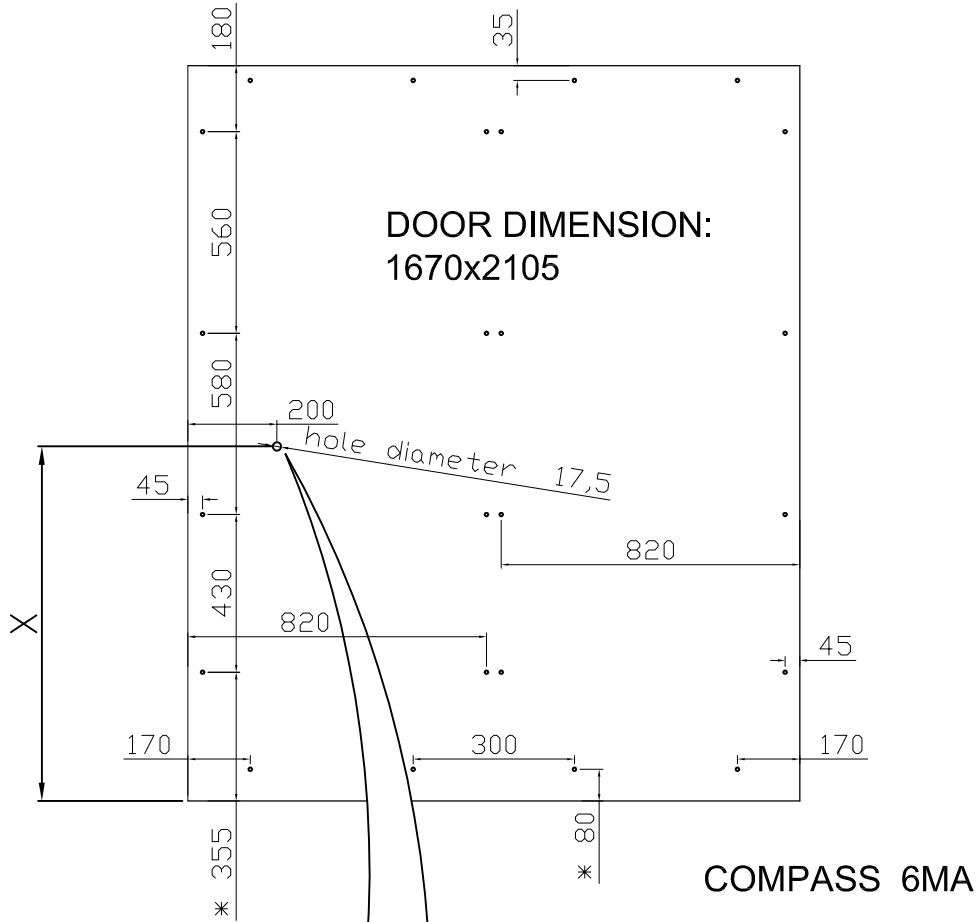
**HEIGHT MATTRESS 180mm**

If the weight of the mattress is lower than the face panel weight, the addition of a magnetic latch is advised to keep the panel well closed.

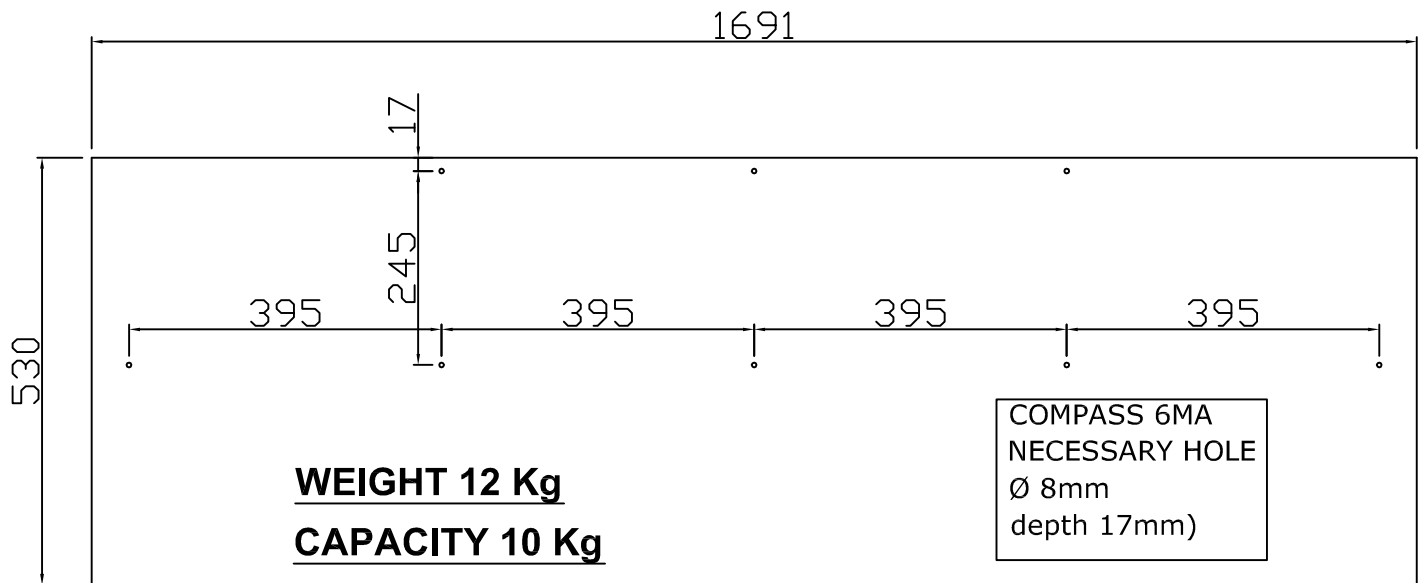
# PROCESSING NECESSARY ON THE WOOD PANEL

DIMENSION =

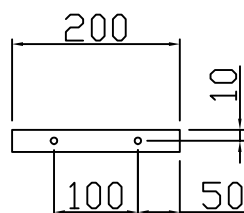
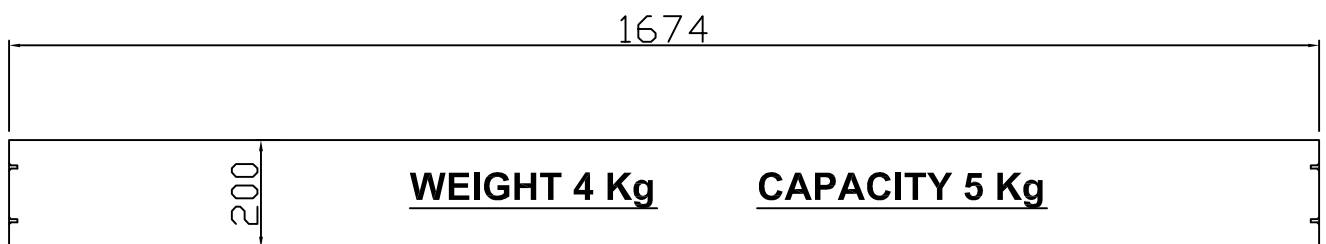
1080 DETRACT DIMENSION BASE CABINET



# HOLES AND DIMENSIONS FOR THE TABLE PANEL



# HOLES AND DIMENSIONS FOR THE SHELF PANEL



COMPASS 6MA  
NECESSARY HOLE  
Ø 8mm  
depth 17mm)