

LAMP® SOFT DOWN STAY NSDX-10(R/L)-TV INSTALLATION INSTRUCTION

PAT

Please read this instruction sheet carefully for proper installation and operation. Incorrect installation and improper use of the product may damage the unit or cause injury. This stay is designed for furniture or lightweight door and is equipped with a damping function. Sugatsune guarantees the quality of this product as for all its parts. It cannot however guarantee the final assembly as a whole. This product was manufactured and delivered with our utmost care. Should you however find any defect, please contact your dealer immediately. Sugatsune warrants that this product is free from defect for a period of one(1) year from the date of delivery. Sugatsune liability is limited to the replacement of this product by a similar one free of defect. In no case dose this extend to the replacement of the installation or the cabinet as a whole. Please keep these instructions at hand for future use. Sugatsune cannot be held liable for any damage or injury caused by improper use or one different than the one this product was designed for.

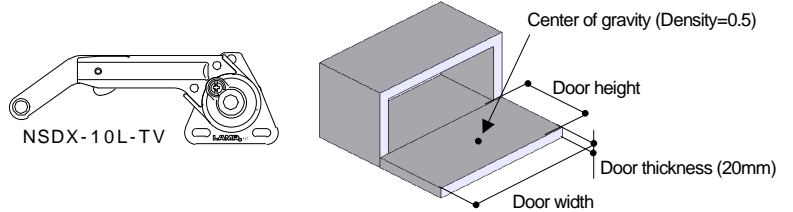
⚠ CAUTIONS Any failure to observe the following precautions may result in personal injury or damage to the cabinet.

Make sure that installation position and specifications are followed. Unsuitable installation position may damage the mechanism when in case two stays are used together. Make sure that the arm of the stay is parallel with the side panel of the cabinet. Please don't place any item/load on the cabinet doors during in the open position. Also please make sure to use a support for the door/flap while doing installation. This product is designed to operate at room temperatures between 0 to 40 (32F-104F). Please avoid forced opening beyond the opening angle, and using excessive force while opening the door. This product has a spring at the elbow section. Please be careful not to get your fingers caught in elbow section while you are handling the unit. Performance of hardware will be affected by unique factors in each application. Hardware must be tested in intended application to confirm the function. It is necessary to periodically check the fixing screws for loosening. Tighten the loosed screws as required.

⊘ Do not force the door to open faster. It can cause damage to the product or hinge(s).

Model(For standard screw)

Code No.	Position	Suitable screw on stay	Suitable screw on mounting plate
NSDX-10L-TV	Left	3.5x3	3.5x3
NSDX-10R-TV	Right	3.5x3	3.5x3



APPLICABLE DOOR WEIGHT AND SIZE

This product must be applied to a door with specific weight and size. Lined Section on the right of the graph indicates applicable door weight range based on 1 unit per door.

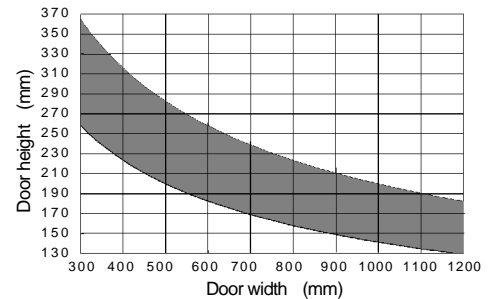
Note-1: In case of 2 units (right & left) per door are used.

Door width can be twice as large, if the door height remains unchanged.

Note-2: In case of different door thickness or specific gravity, door weight must fit with following formula.

*1 unit per door: MIN. ~ MAX.
 $1/2 \text{ door height(m)} \times \text{door weight(kg)} \times 9.8 = 0.98 \sim 1.96 \text{ N} \cdot \text{m} (10 \sim 20 \text{ kgf} \cdot \text{cm})$
 $(1/2 \text{ door height (inch)} \times \text{door weight (lb)} = 8.7 \sim 17.4 \text{ lb} \cdot \text{inch})$

*2 units (right & left) per door.
 $1/2 \text{ door height(m)} \times \text{door weight(kg)} \times 9.8 = 1.96 \sim 3.92 \text{ N} \cdot \text{m} (20 \sim 40 \text{ kgf} \cdot \text{cm})$
 $(1/2 \text{ door height (inch)} \times \text{door weight (lb)} = 17.4 \sim 34.7 \text{ lb} \cdot \text{inch})$



* In case of usual wooden flap of 20mm thickness (specific gravity approx. 0.5)

Above drawing shows for NSDX-10L-TV (Left hand side mounting) and NSDX-10R-TV (Right hand side mounting) symmetrically. Same mounting.

NSDX-10-TV INSTALLATION PROCEDURE

- Mount the body and arm fixing plate on sideboard and back of door with tapping screws(3.5) to oval holes temporarily.
- Align notch on mounting plate and hole on arm by rotating the stays to fix them.
- Check the function and adjust mounting plate on oval holes.

Then fix them with the tapping screws in the round holes of the stay and mounting plate.

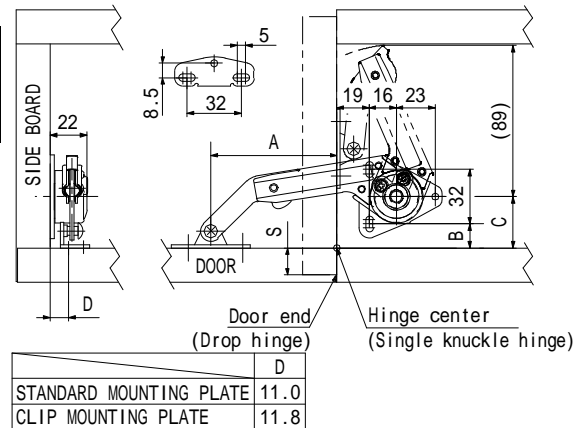
Mounting plates are available both in standard and clip type. When using a standard mounting plate type, be sure to fix it securely with supplied truss screw after installing the stay. When using a clip mounting plate type, be sure to insert arm completely.

Hinge type	Measurement		
	A	B	C
Drop Hinge	58+S	14	30
Single knuckle hinge	71	27	43

Note: "S" dimension is the overlay distance for drop hinge(s).

STANDARD MOUNTING PLATE

CLIP MOUNTING PLATE



⚠ CAUTIONS

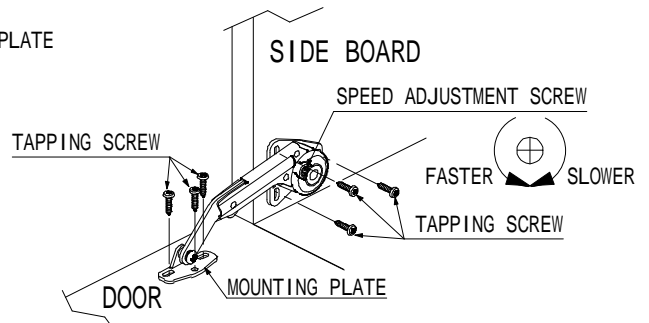
In using a clip mounting plate type, be careful not to hit the arm or apply excessive force, as it may cause the arm to fall off and cause unexpected injury.

SPEED ADJUSTMENT

Upon completion of installation, make sure the door opens and closes properly. To adjust the opening / closing speed of door, turn speed adjustment screw. In case 2 units (right & left) are used on a single door, the speed adjustment screws on both sides must be turned evenly.

⚠ CAUTIONS

Do not turn the speed adjustment screw exceeding the limit. For speed adjustment, use a Philips (plus) screwdriver with 5 or less.



For Overseas Customers
SUGATSUNE KOGYO CO., LTD.
 1-8-11 HigashiKanda, Chiyoda-ku, Tokyo 101-8633, Japan
 TEL:+81(0)3-3866-2260 FAX:+81(0)3-3866-4447
 http://www.sugatsune-intl.com E-mail:export@sugatsune.co.jp
 ISO9001(JSAQ384) ISO14001(JSAE597) CERTIFICATE.
 * ISO14001:CHIBA DIVISION CHIBA FACTORY
 and DISTRIBUTION DIVISION



For North American Customers
SUGATSUNE AMERICA, INC.
 18101 Savarona Way
 Carson, CA 90746, U.S.A.
 TEL:+1-310-329-6373 FAX:+1-310-329-0819
 TOLL FREE:(800) 562-5267 (from U.S.A only)
 http://www.sugatsune.com
 E-mail : sales@sugatsune.com