



L 355 mm

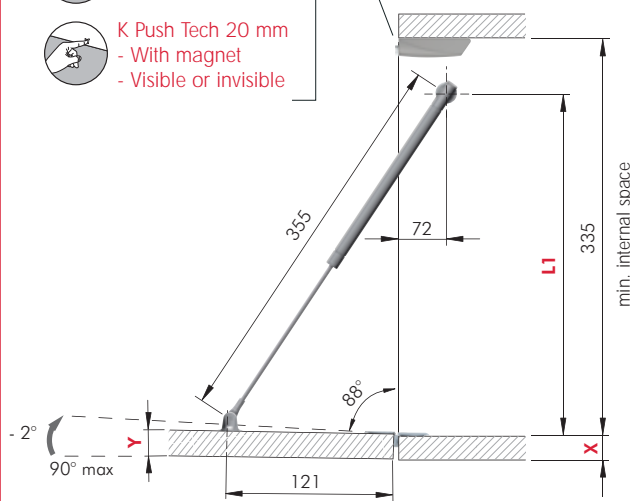


Magnet K Lock
visible or invisible

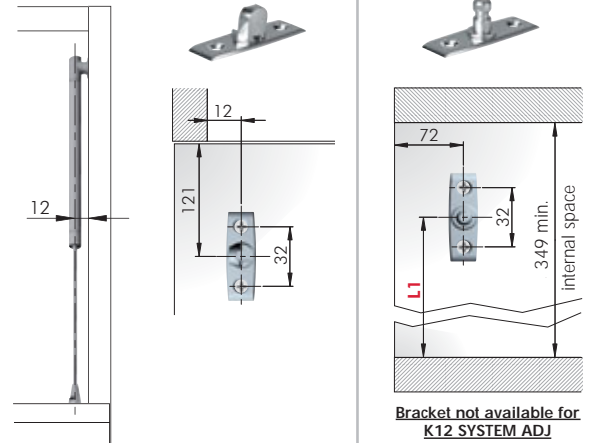


K Push Tech 20 mm
- With magnet
- Visible or invisible

For details refer to section
"PUSH CATCHES & MAGNETIC CATCHES".



SCREW FIXING BRACKETS:

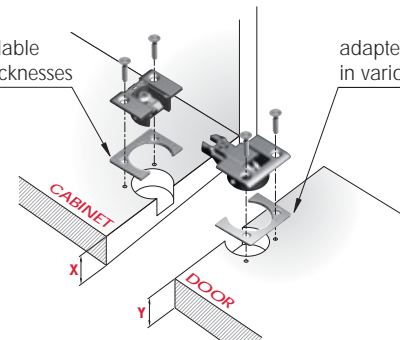


Opening angle adjustment is possible only with K12 SYSTEM ADJ version.

⚠ Overcrossing 90° door opening angle, it negatively effects the Kimana hinges.

Cabinet (X)		Door (Y)		L1
16 mm	4 mm	16 mm	2 mm	314
16 mm	4 mm	19 mm	-	316
18 mm	2 mm	18 mm	-	314
19 mm	-	16 mm	2 mm	310
19 mm	-	19 mm	-	312
20 mm	-	20 mm	-	312

adapter available
in various thicknesses



adapter available
in various thicknesses

For Kimana and adapter details refer to section "HINGES".