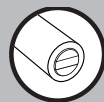
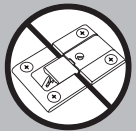
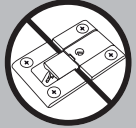




COMPACT CONFIGURATOR:



DROP DOWN DRILLING PLANS WITH KIMANA HINGE



L 164 mm

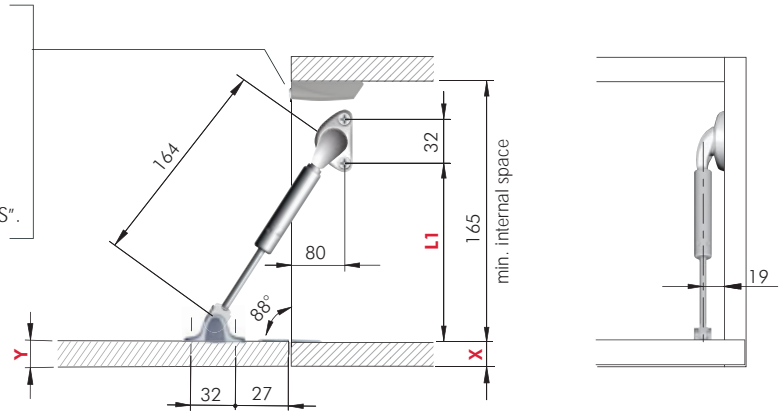


Magnet K Lock
visible or invisible



K Push Tech 20 mm
- With magnet
- Visible or invisible

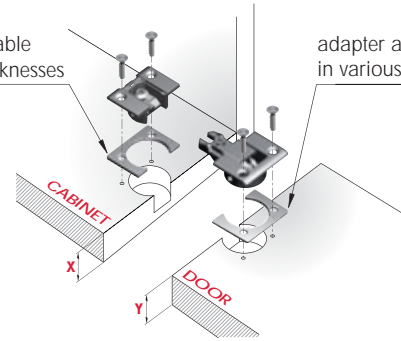
For details refer to section
"PUSH CATCHES & MAGNETIC CATCHES".



Cabinet (X)		Door (Y)		L1
16 mm	4 mm	16 mm	2 mm	117
16 mm	4 mm	19 mm	-	119
18 mm	2 mm	18 mm	-	117
19 mm	-	16 mm	2 mm	113
19 mm	-	19 mm	-	115
20 mm	-	20 mm	-	115

For Kimana and adapter details refer to section "HINGES".

adapter available
in various thicknesses



adapter available
in various thicknesses

L 244 mm

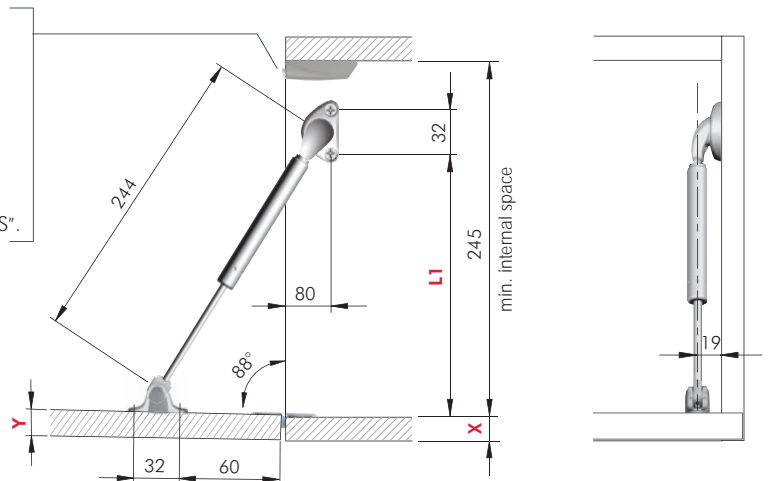


Magnet K Lock
visible or invisible



K Push Tech 20 mm
- With magnet
- Visible or invisible

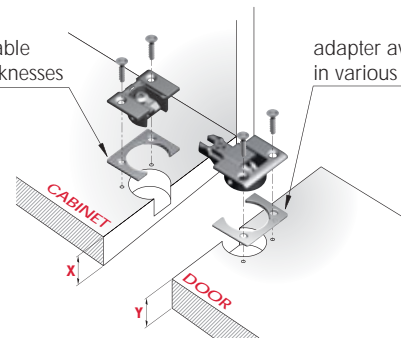
For details refer to section
"PUSH CATCHES & MAGNETIC CATCHES".



Cabinet (X)		Door (Y)		L1
16 mm	4 mm	16 mm	2 mm	197
16 mm	4 mm	19 mm	-	199
18 mm	2 mm	18 mm	-	197
19 mm	-	16 mm	2 mm	193
19 mm	-	19 mm	-	195
20 mm	-	20 mm	-	195



For Kimana and adapter details refer to section "HINGES".

adapter available
in various thicknesses

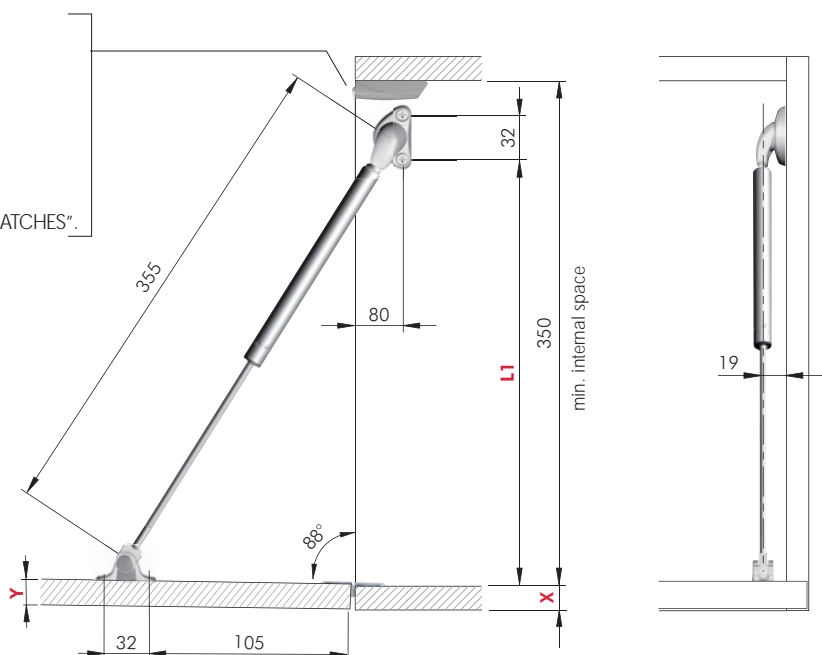



adapter available
in various thicknesses

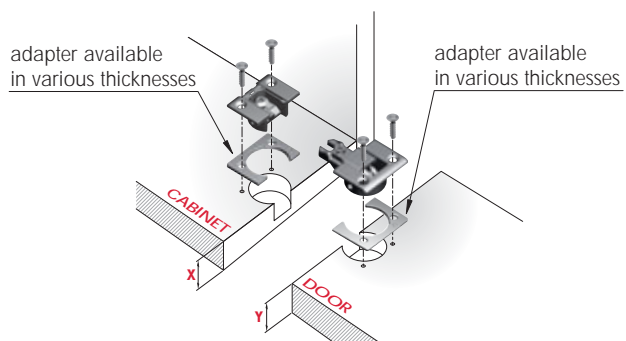
L 355 mm

-  Magnet K Lock
- visible or invisible
-  K Push Tech 20 mm
- With magnet
- Visible or invisible

For details refer to section "PUSH CATCHES & MAGNETIC CATCHES".



Cabinet (X)		Door (Y)		L1
16 mm	4 mm	16 mm	2 mm	302
16 mm	4 mm	19 mm	-	304
18 mm	2 mm	18 mm	-	302
19 mm	-	16 mm	2 mm	298
19 mm	-	19 mm	-	300
20 mm	-	20 mm	-	300

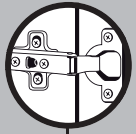


For Kimana and adapter details refer to section "HINGES".

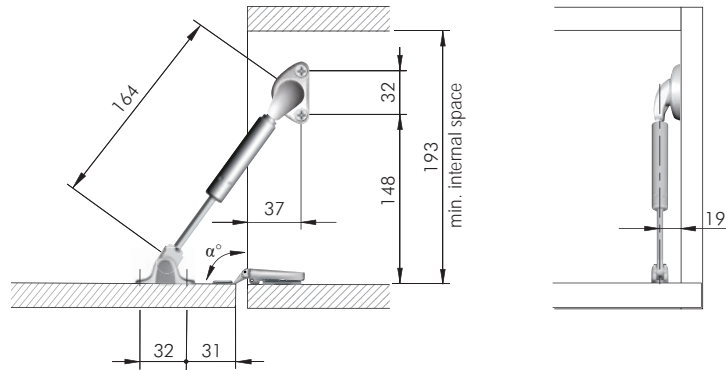


DROP DOWN DRILLING PLANS WITH STANDARD HINGES
OPENING WITH HANDLE

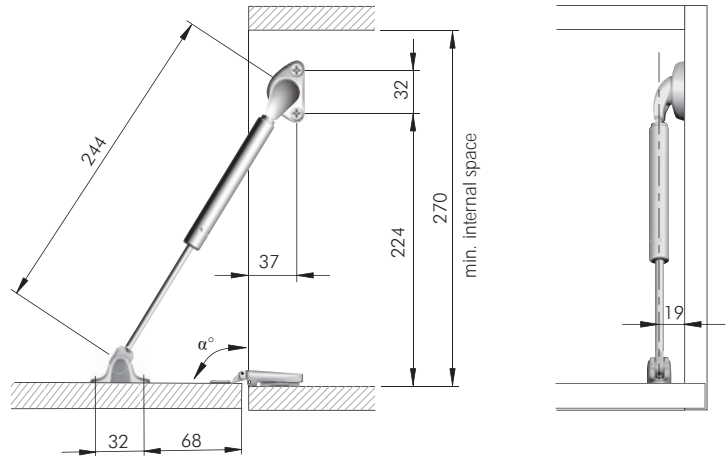
COMPACT CONFIGURATOR:



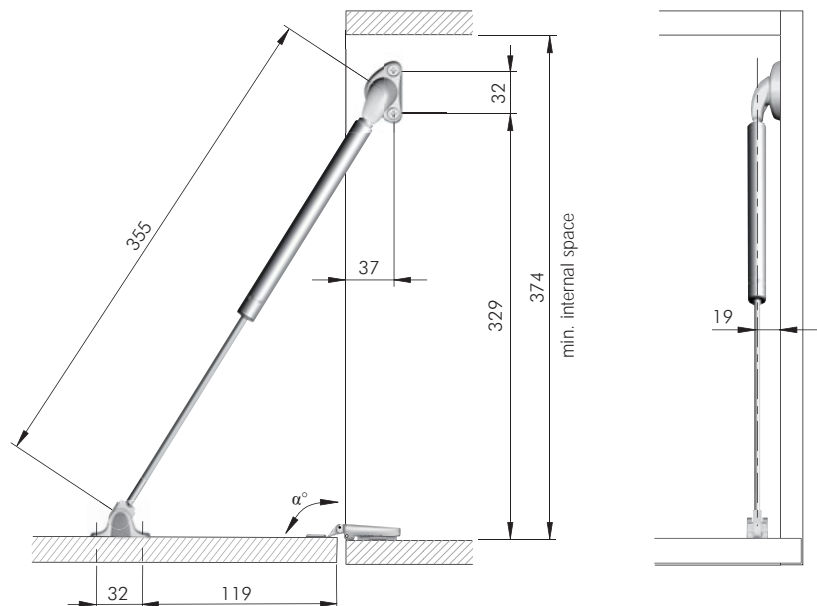
L 164 mm



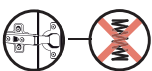
L 244 mm



L 355 mm



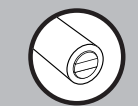
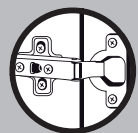
The dimensions of the drilling plans refer to carcasses which use *standard sprung hinges* and mounting plates 0 mm. Please note that the α° opening angle shown data is purely indicative. It varies with respect to the hinge brand and adjustment carried out.



Please note that in case of use of **unsprung hinges**, magnet **K Lock** is required. For details refer to section "PUSH CATCHES & MAGNETIC CATCHES".



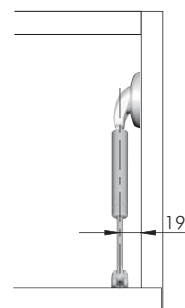
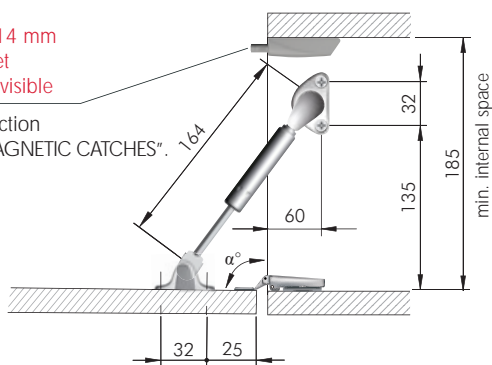
DROP DOWN DRILLING PLANS WITH STANDARD HINGES PUSH TO OPEN



L 164 mm

K Push Tech 14 mm
- With magnet
- Visible or invisible

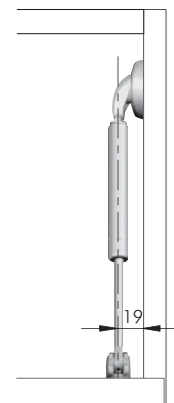
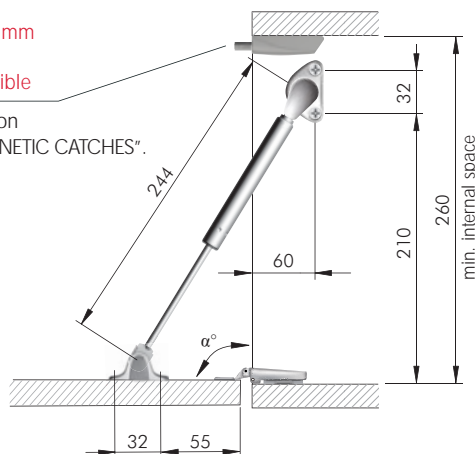
For details refer to section "PUSH CATCHES & MAGNETIC CATCHES".



L 244 mm

K Push Tech 14 mm
- With magnet
- Visible or invisible

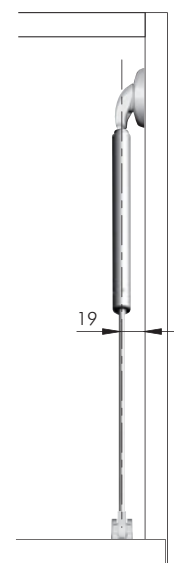
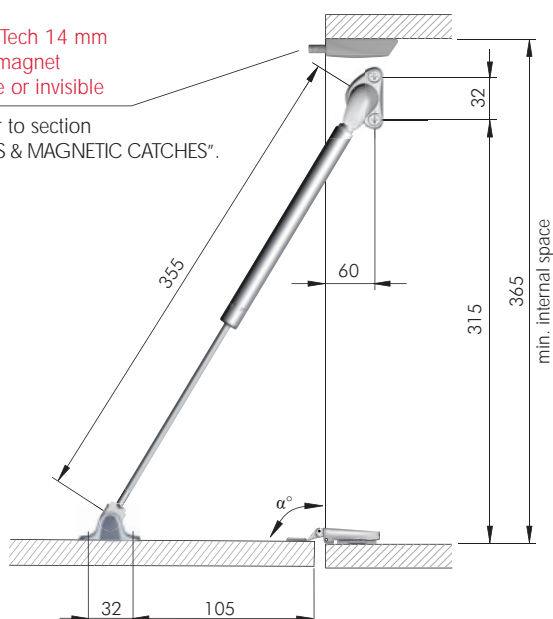
For details refer to section "PUSH CATCHES & MAGNETIC CATCHES".



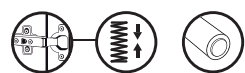
L 355 mm

K Push Tech 14 mm
- With magnet
- Visible or invisible

For details refer to section "PUSH CATCHES & MAGNETIC CATCHES".



The dimensions of the drilling plan refer to carcasses which use **standard unsprung hinges** and mounting plates 0 mm. Please note that the α° opening angle shown data is purely indicative. It varies with respect to the hinge brand and adjustment carried out.



Please note that utilization with **standard sprung hinges** and **K Push Tech with buffer** is also possible. In such case, after the door is initially released by K Push Tech, a manual opening approx. 7cm is required (in order to win the spring resistance). Consequently, the door will automatically open to the fullest. For details refer to section "PUSH CATCHES & MAGNETIC CATCHES".



DROP DOWN DRILLING PLANS WITH FLAP HINGE

COMPACT CONFIGURATOR:



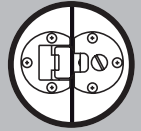
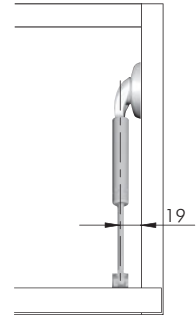
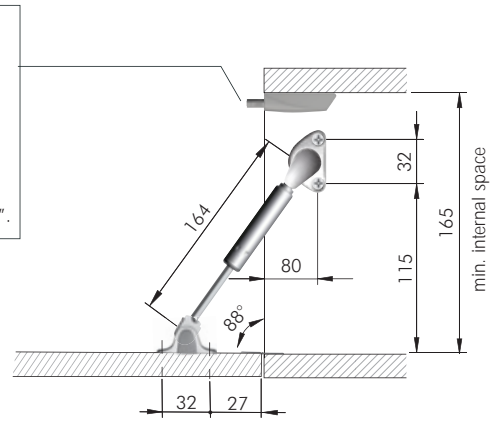
Magnet K Lock
visible or invisible



K Push Tech 20 mm
- With magnet
- Visible or invisible

For details refer to section
"PUSH CATCHES & MAGNETIC CATCHES".

L 164 mm



L 244 mm

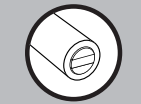
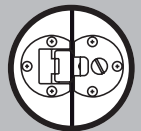
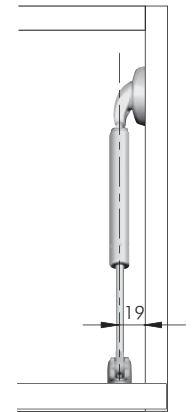
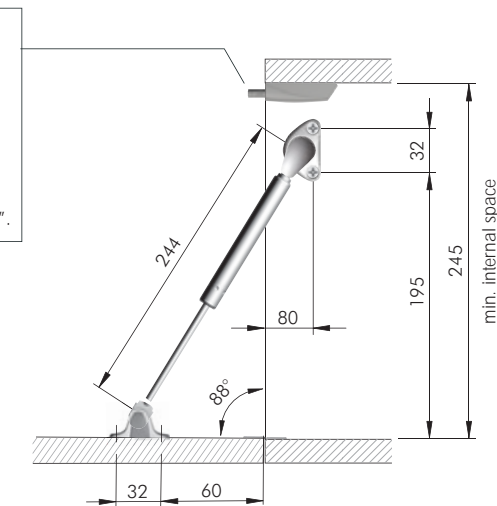


Magnet K Lock
visible or invisible



K Push Tech 20 mm
- With magnet
- Visible or invisible

For details refer to section
"PUSH CATCHES & MAGNETIC CATCHES".



L 355 mm

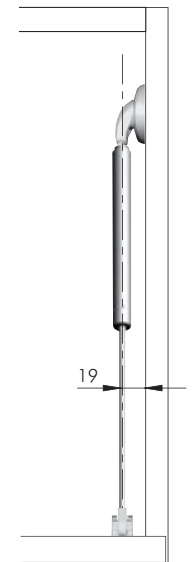
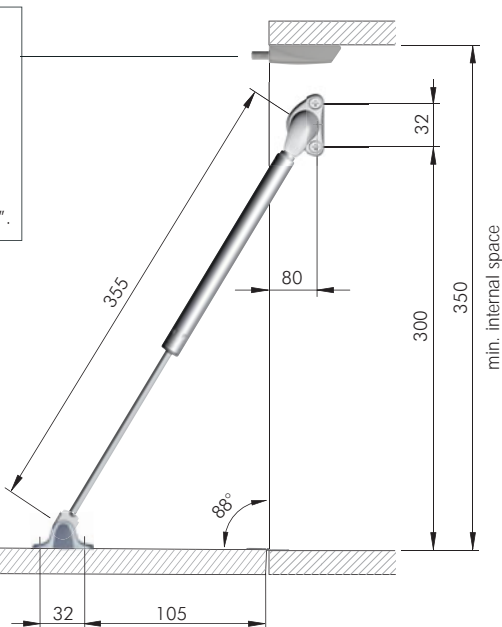


Magnet K Lock
visible or invisible

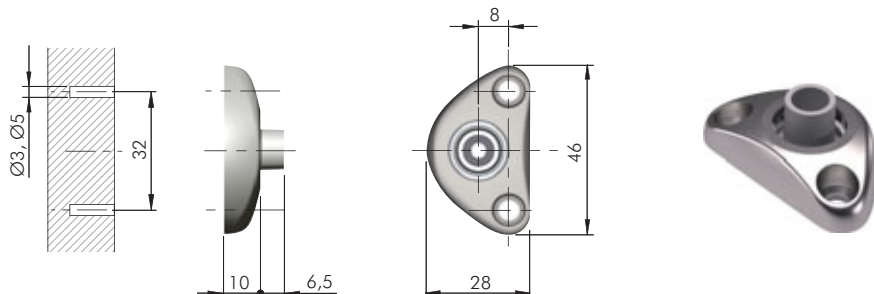


K Push Tech 20 mm
- With magnet
- Visible or invisible

For details refer to section
"PUSH CATCHES & MAGNETIC CATCHES".



COMPACT BRACKETS



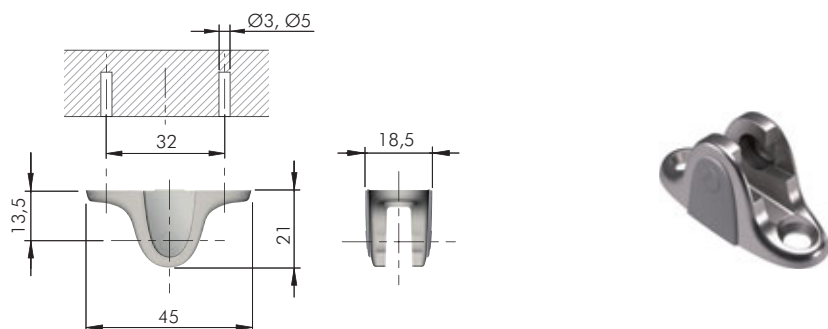
= Ø 3, Ø 5 mm



= 100 pcs.



42911010YA



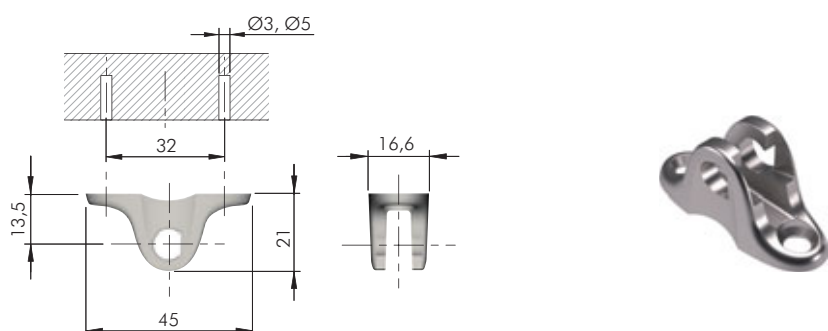
= Ø 3, Ø 5 mm



= 100 Stk.



4291802000



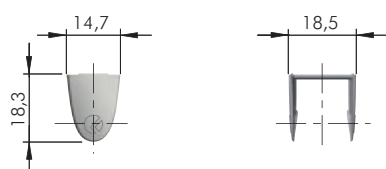
= Ø 3, Ø 5 mm



= 100 pcs.



42918010YC



= 100 pcs.



4291901000