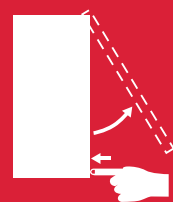
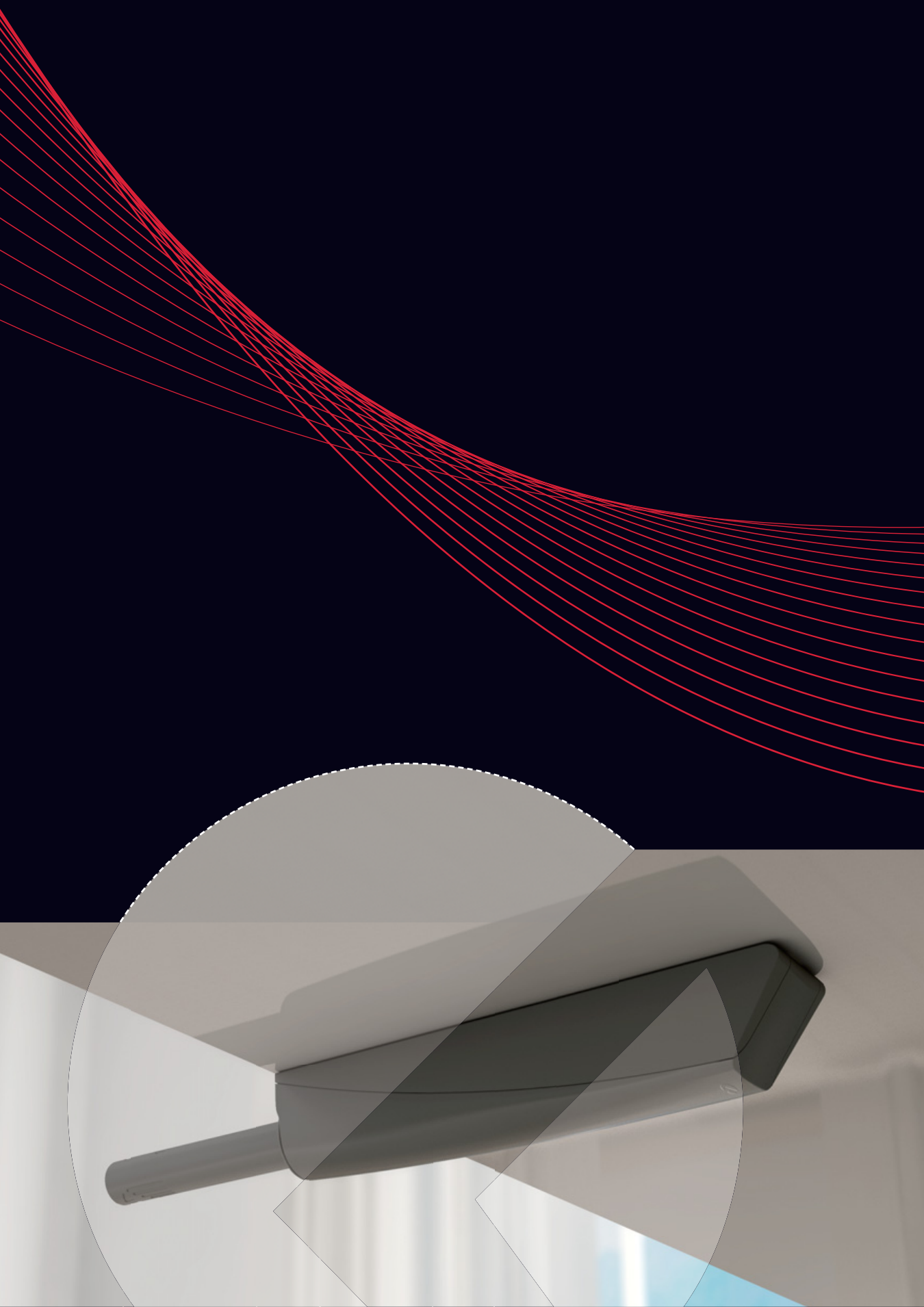


K PUSH TECH



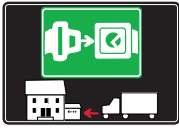
PUSH CATCHES
AND MAGNETIC
CATCHES





SYMBOLS AND FINISHES LEGEND

SYMBOLS



= SHELF SAFELY LOCKED DURING TRANSPORTATION AND AT HOME.



= ANTI-TURNOVER LOCKING SYSTEM



= NORMS / PATENTS



= PHILLIPS / POZIDRIV



= NEWTON



= PART.NO



= HEXAGONAL SOCKET



= FRICTION



= PCS. PER PACKAGE



= BLADE SLOT



= AUTOMATIC



= COMBI SLOT



= DROP DOWN



= CAPACITY LOADING



= COUNTERSUNK HEAD



= WOOD / GLASS THICKNESS



= PAN HEAD



= STANDARD HINGE



= HOLE DIAMETER



= FLANGE HEAD



= KIMANA HINGE



= DIAMETER



= FLAT HEAD



= FLAP HINGE



= LENGTH



= TRILOBULAR SCREW



= WITH SPRING



= HEIGHT



= SELF-TAPPING SCREW



= WITHOUT SPRING



= RIGHT VERSION



= EURO THREAD



= REVERSED SPRING



= LEFT VERSION



= METRIC THREAD



= SETTING CODE



= PRE-INSERTED SCREW



= FOR ROUND TUBE



= PCS. PER PAD



= PRE-INSERTED SCREW AND SPREADING BUSH



= FOR OVAL TUBE



= CUT ON REQUEST



= WITH BUFFER



= SELF ADHESIVE



= WITH MAGNET



= WITH FLANGE

NOTE: Printing errors and omissions may exist despite our best efforts to ensure accuracy. We reserve the right to alter specifications without notice.

MATERIALS

ZA = Zinc Alloy	ST = Steel	HSS = High Speed Steel	BR = Brass	ABS = Acrylonitrile Butadiene Styrene
ZAnk = Nickel-plated Zinc Alloy	STzk = Zinc-plated Steel	AL = Aluminium	WD = Wood	EVA = Ethylene Vinyl Acetate

EP = **ENGINEERING PLASTIC**

+ **EP** = other engineering plastic available on request

SR = **SOFT RUBBER**

+ **SR** = other soft rubber available on request

EPn = Natural Engineering Plastic	EPc = Clear Engineering Plastic	SRn = Natural Soft Rubber
EPw = White Engineering Plastic	EPg = Grey Engineering Plastic	SRw = White Soft Rubber
EPwg = Water Green Engineering Plastic		SRb = Black Soft Rubber



FINISHES



= OTHER FINISHES AVAILABLE ON REQUEST

PART. NO	FINISHES	PART. NO	FINISHES	PART. NO	FINISHES
AA	Natural	JB	Bright Aluminium	QB	Walnut
AB	White	JC	Aluminium - Chrome	RO	Red
AC	Opal White	JD	Matt Aluminium	UZ	T -Met
AE	White 9010	JE	Satin-finished Aluminium	WA	Bronzed
AK	Champagne	JF	Aluminium - Brass	WI	Burnished
AL	Ivory	JG	Aluminium 5	XD	Satin-finished Steel
EA	Black	JL	Aluminium PE 11	YA	Nickel-plated
EB	Glossy Black	JM	Aluminium RAL 9006	YB	Bright Nickel-plated
EC	Matt Black	KA	Chrome	YC	Matt Nickel-plated
EE	Anthracite	KB	Bright Chrome	YD	Satin-finished Nickel-plated
FU	Gunmetal	KC	Matt Chrome	ZA	Zinc alloy
GR	Raw	MA	Brown	ZN	Zinc-plated
HA	Brass-Plated	MB	Light Brown 1	ZQ	Bright Gold
HH	Tropicalized	NN	Metallic Beige	ZY	Titanium
HL	Raw Brass	NO	Beige	ZZ	Clear
IA	Grey	OA	Oak	00	Insignificant finish
IB	Metallic Grey	OZ	Ash		
IF	Middle Grey	PA	Light Ash		
IJ	Light Grey	PZ	Beech		
IL	Grey 20	QA	Maple		

K PUSH TECH

K PUSH TECH is the fully renewed and extended program of automatic opening systems for doors without handles or knobs.

A special inner mechanism provides a very silent, yet powerful utilization, granting a long durability which makes it perfectly suitable for a wide range of doors.

K PUSH TECH is available:

- with buffer, for cabinets using sprung hinges.
- with magnet, for cabinets using unsprung hinges or negative hinges (Highest magnet strength available in the market).


K PUSH TECH program, includes an innovated range of spring strengths and three lengths of the output paths:

Short – 14 mm, Medium – 20 mm, Long – 37 mm.

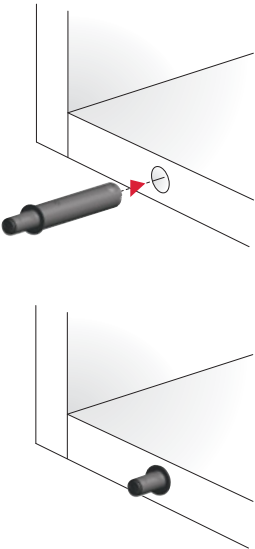
Gap between door and cabinet is reduced: activation gap is 1,4 mm, ring thickness is 0,6 mm.

Wide adjustment feature: +6 / -0.45 mm; beyond this negative adjustment the spring is deactivated.

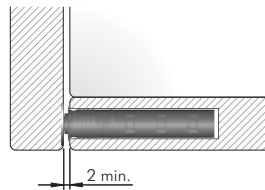


PATENT PENDING
REGISTERED DESIGN 
Tested in accordance with
CATAS procedures
ISO 7170/05

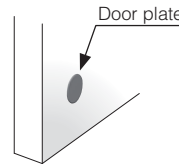
INSTALLATION TO BE EMBEDDED INSIDE THE PANEL



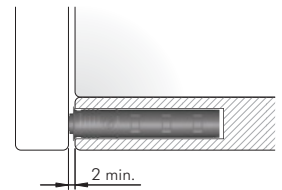
WITH MAGNET
for cabinets using **unsprung hinges**
or **negative hinges**.



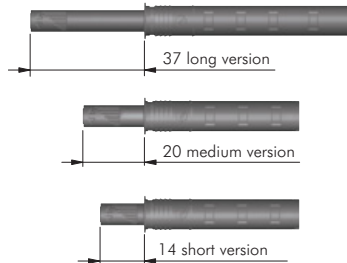
For details refer to
"K PUSH TECH AND
K LOCK DOOR PLATES".



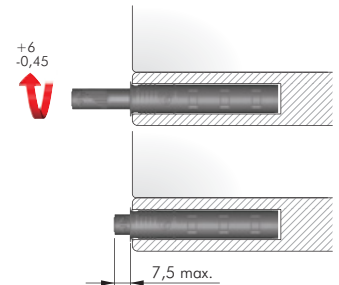
WITH BUFFER
for cabinets using **sprung hinges**.



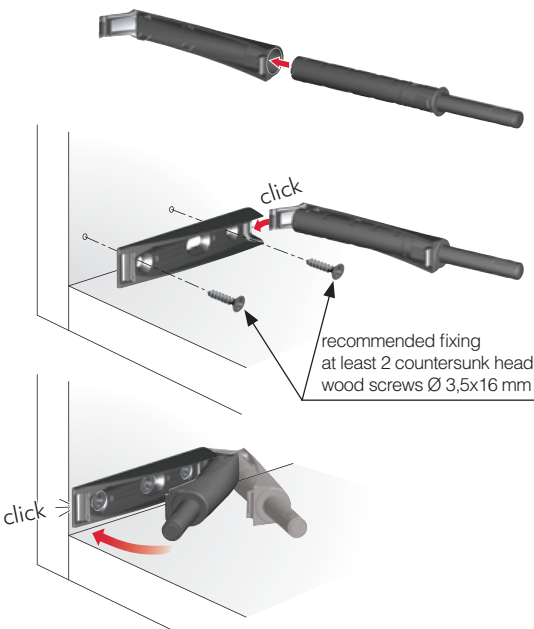
VERSIONS



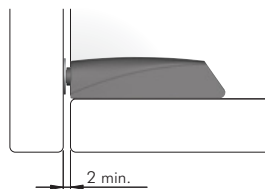
ADJUSTMENTS



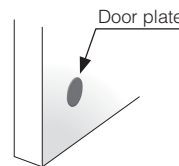
INSTALLATION THROUGH ADAPTER HOUSING



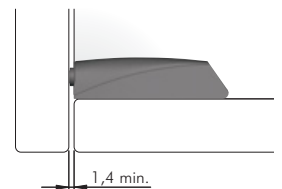
WITH MAGNET
for cabinets using **unsprung hinges**
or **negative hinges**.



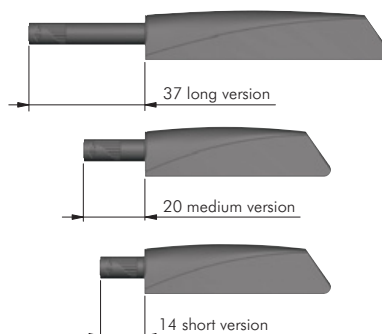
For details refer to
"K PUSH TECH AND
K LOCK DOOR PLATES".



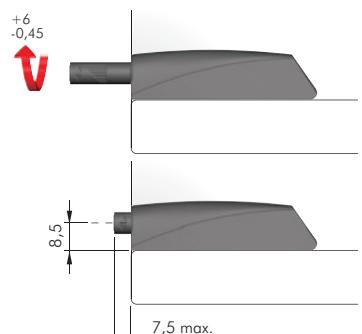
WITH BUFFER
for cabinets using **sprung hinges**.

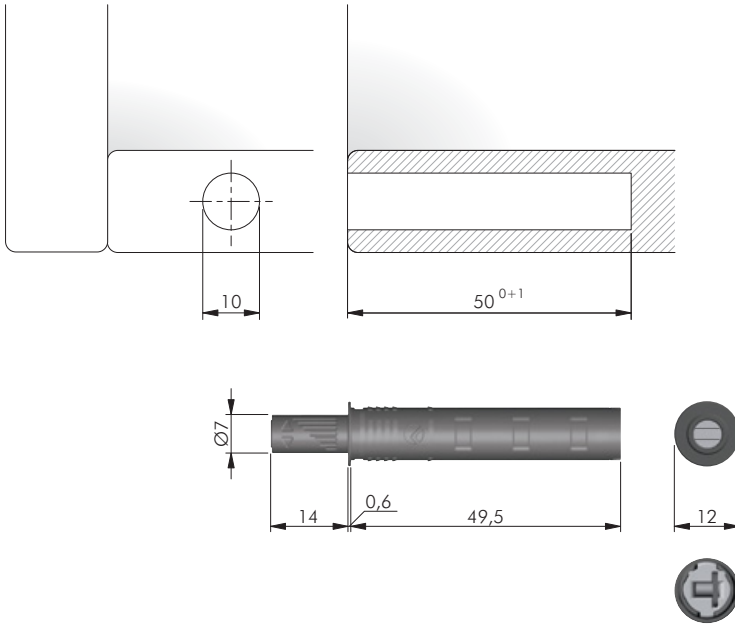


VERSIONS

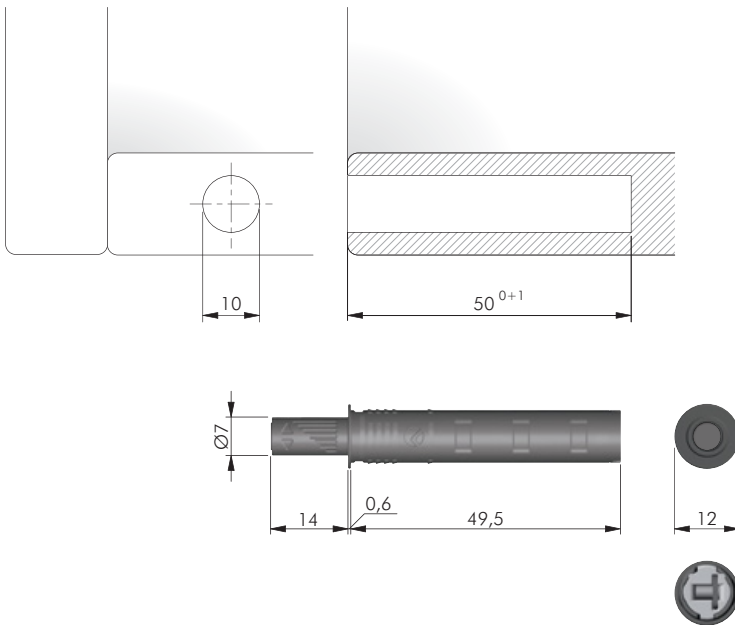


ADJUSTMENTS



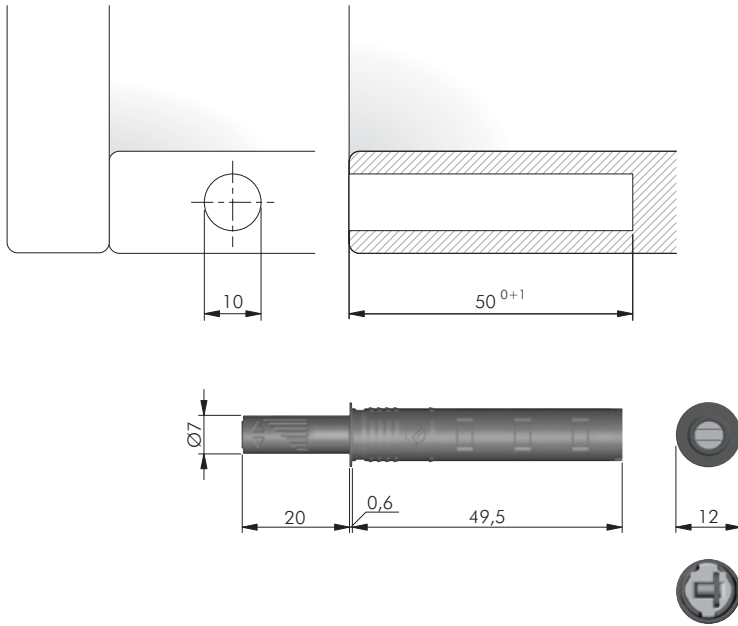


	ST	EP		= 100 pcs.
	57002020EE			
	57002020IJ			
	57002020AB			

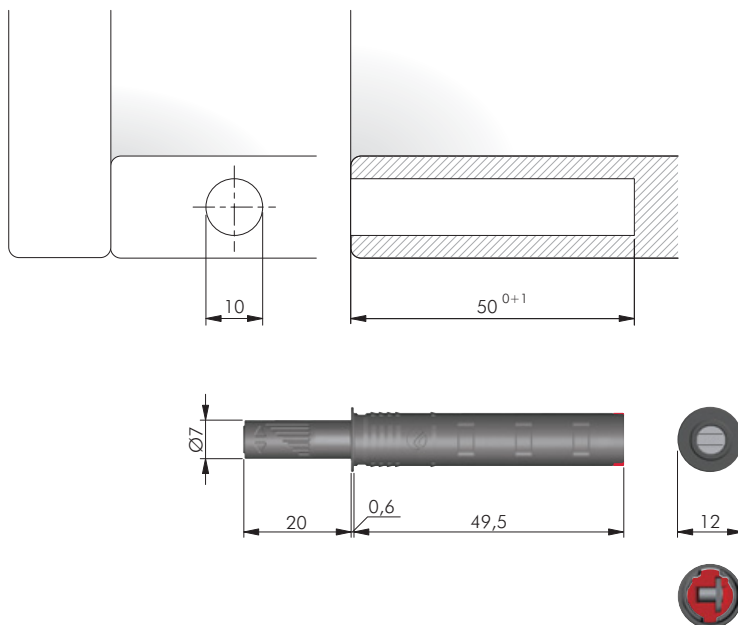


	ST	EP	SR		= 100 pcs.
	57002040EE				
	57002040IJ				
	57002040AB				



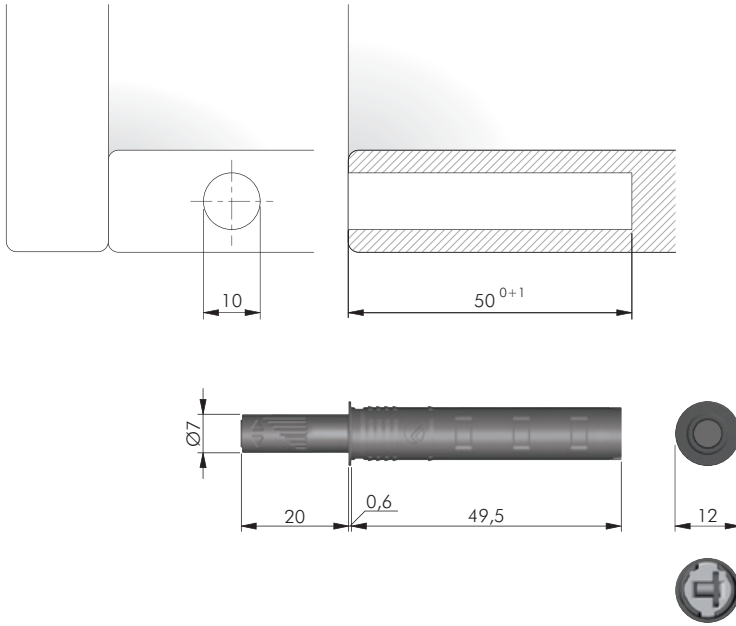


	ST	EP	= 100 pcs.
57004020EE			
57004020J			
57004020AB			

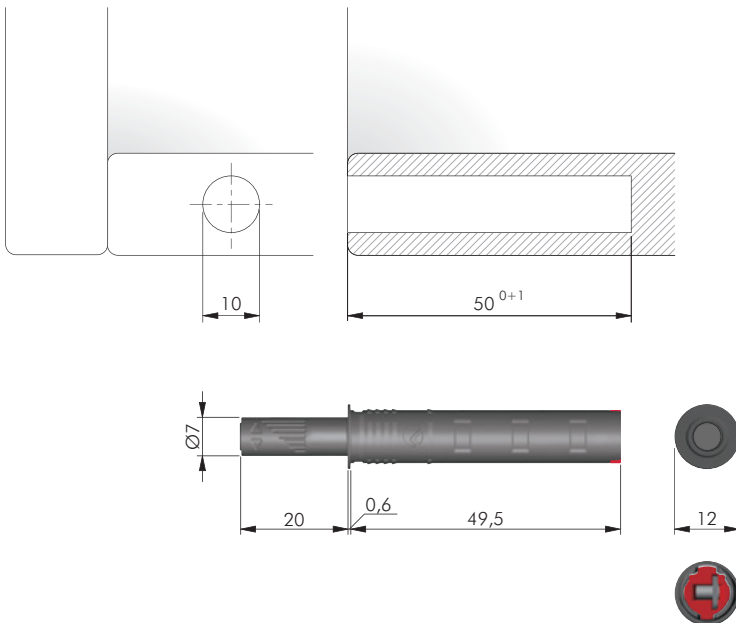


	STRONG VERSION		= 100 pcs.
ST	EP		
57004060EE			
57004060J			
57004060AB			





	ST	EP	SR	= 100 pcs.
	57004040EE			
	57004040IJ			
	57004040AB			

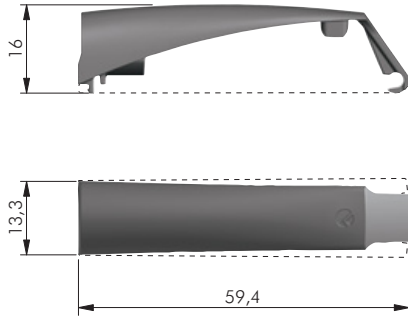


	STRONG VERSION			= 100 pcs.
ST	EP	SR		
	57004080EE			
	57004080IJ			
	57004080AB			





ADAPTER HOUSING AND PLATE FOR **SHORT** AND **MEDIUM** VERSIONS



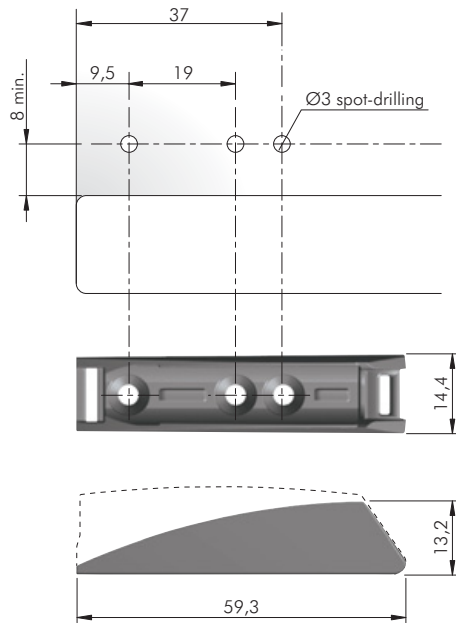
EP = 100 pcs.

= 123

57006020EE

57006020IJ

57006020AB



= Ø 2,5 mm

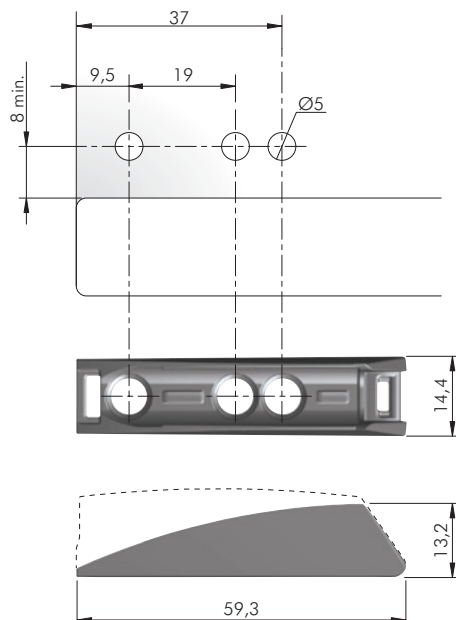
EP = 100 pcs.

= 123

57006040EE

57006040IJ

57006040AB



= Ø 5 mm

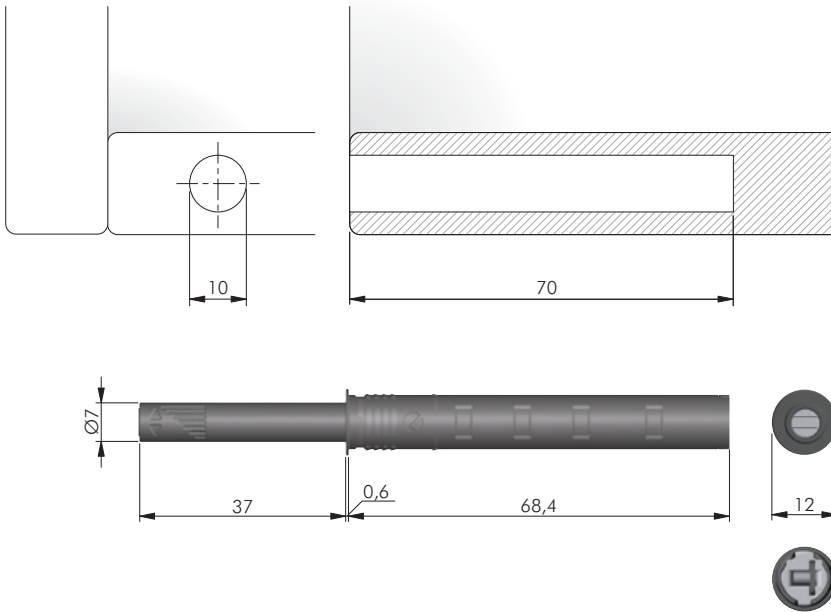
EP = 100 pcs.

= 123

57006060EE

57006060IJ

57006060AB



ST

EP

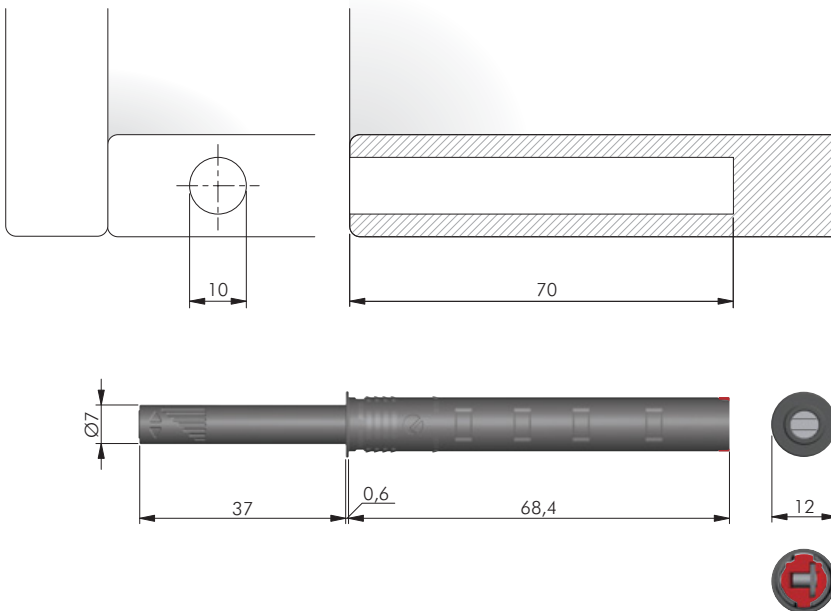
= 100 pcs.



57008020EE

57008020IJ

57008020AB



STRONG VERSION

ST

EP

SR

= 100 pcs.



57008060EE

57008060IJ

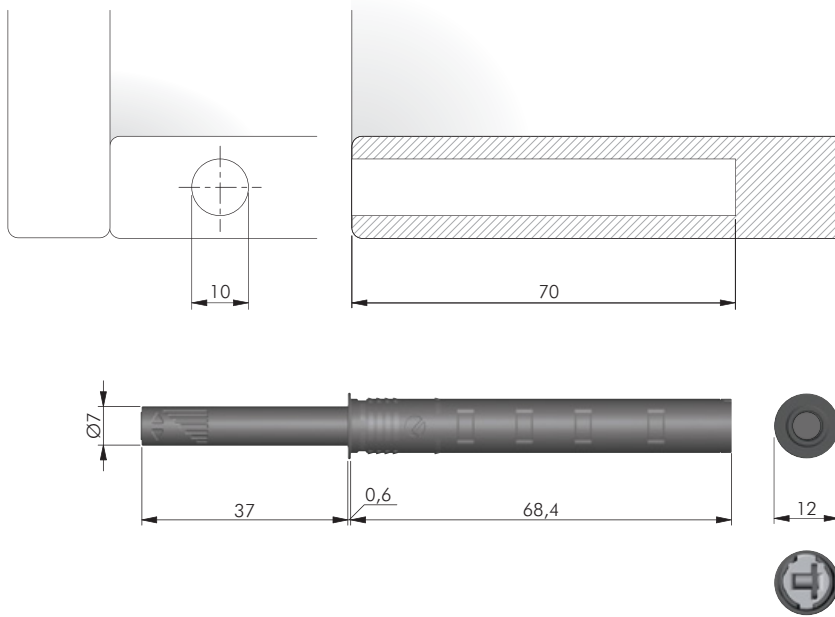
57008060AB












PUSH CATCHES
AND MAGNETIC
CATCHES

K PUSH TECH



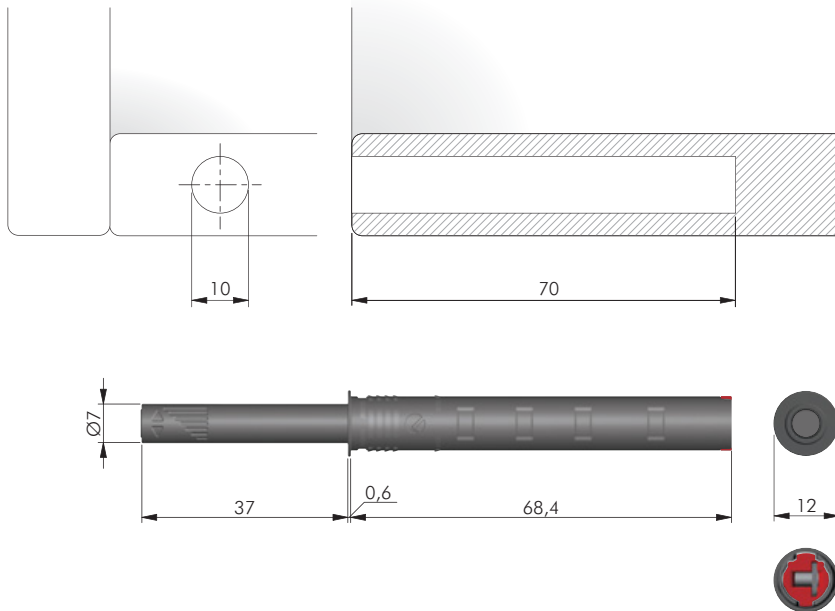




 = 100 pcs.








57008040EE

57008040IJ

57008040AB




STRONG VERSION
 = 100 pcs.

57008080EE

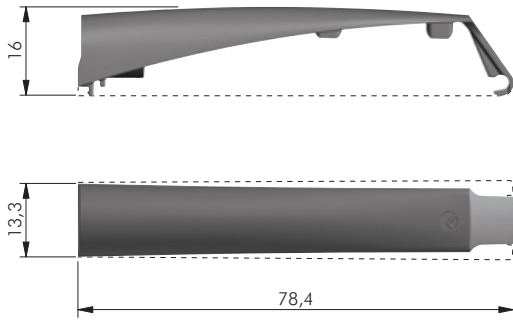
57008080IJ

57008080AB





ADAPTER HOUSING AND PLATE FOR LONG VERSION



EP

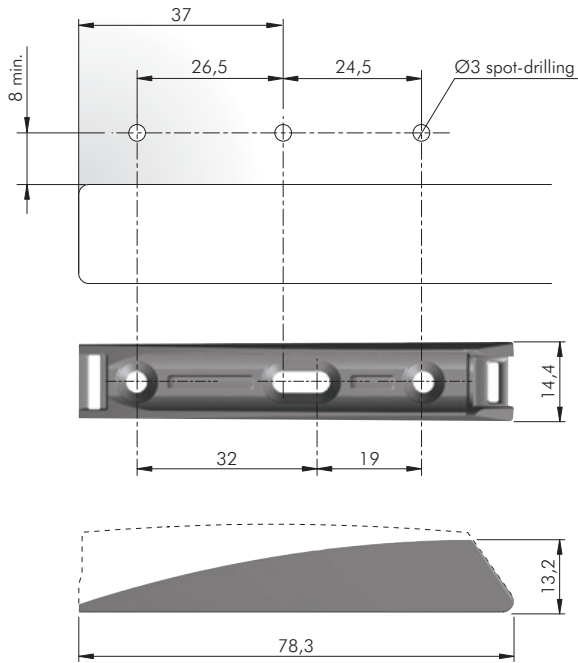
= 100 pcs.



57010020EE

57010020IJ

57010020AB



= Ø 2,5 mm

EP

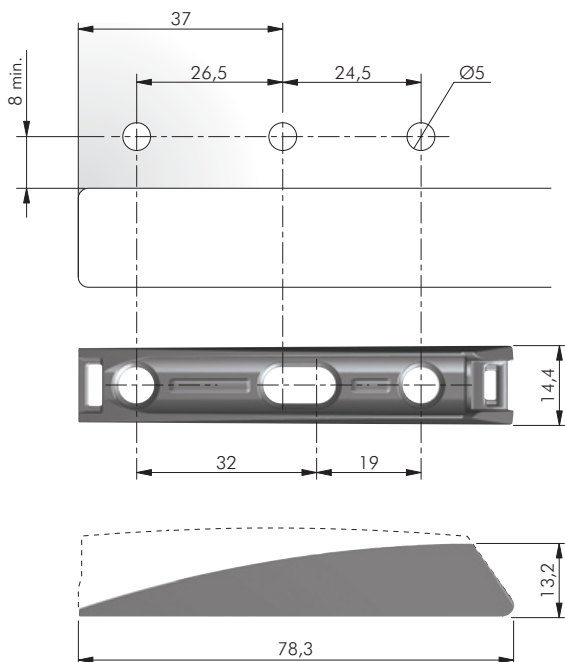
= 100 pcs.



57010040EE

57010040IJ

57010040AB



= Ø 5 mm

EP

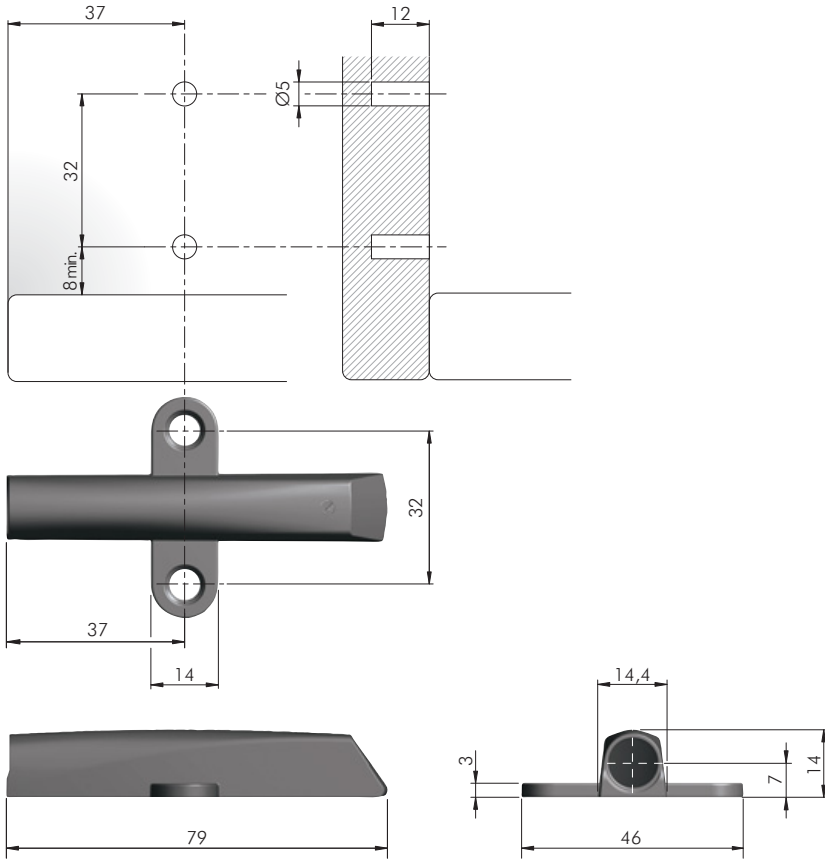
= 100 pcs.



57010060EE

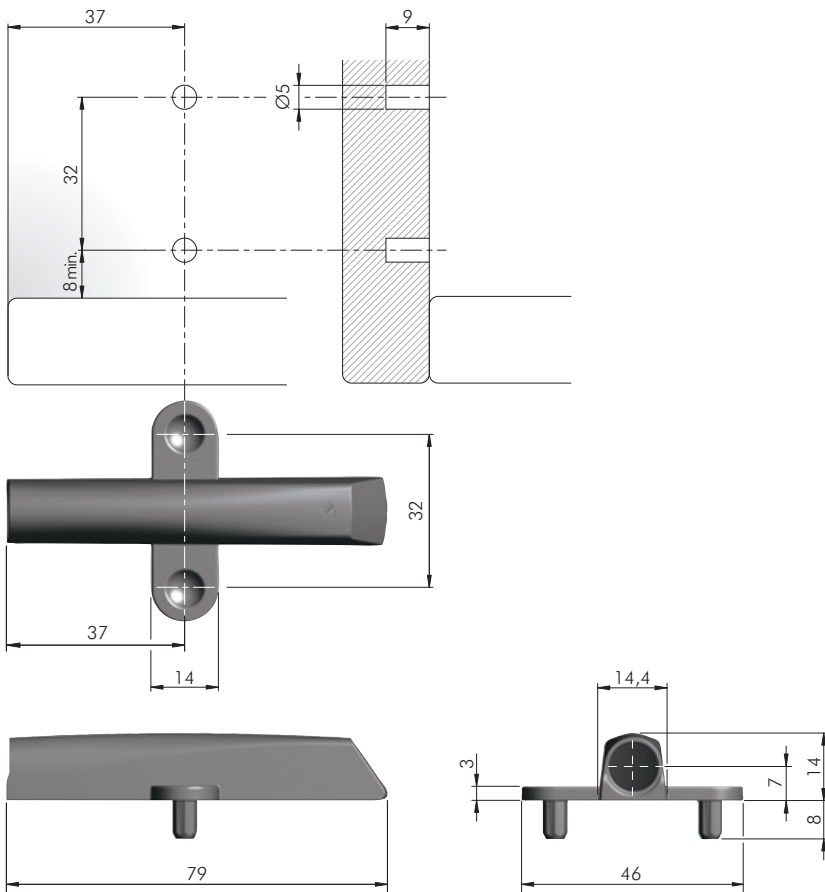
57010060IJ

57010060AB



= Ø 5 mm
 = 100 pcs.

 57010080EE
 57010080IJ
 57010080AB



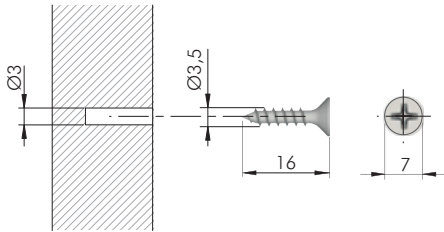
= Ø 5 mm
 = 100 pcs.

 57010100EE
 57010100IJ
 57010100AB





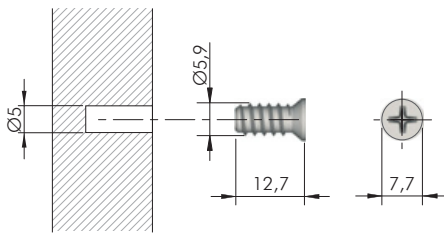
FIXING ACCESSORY FOR K PUSH TECH ADAPTER PLATES PART. NO 57006040, 57010040



= Ø 3 mm +
 = PZ2
 = 10.000 pcs.

60101390ZN

FIXING ACCESSORY FOR K PUSH TECH ADAPTER PLATES PART. NO 57006060, 57010060, 57010080

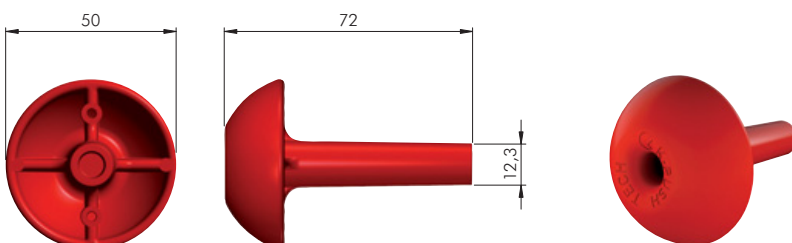
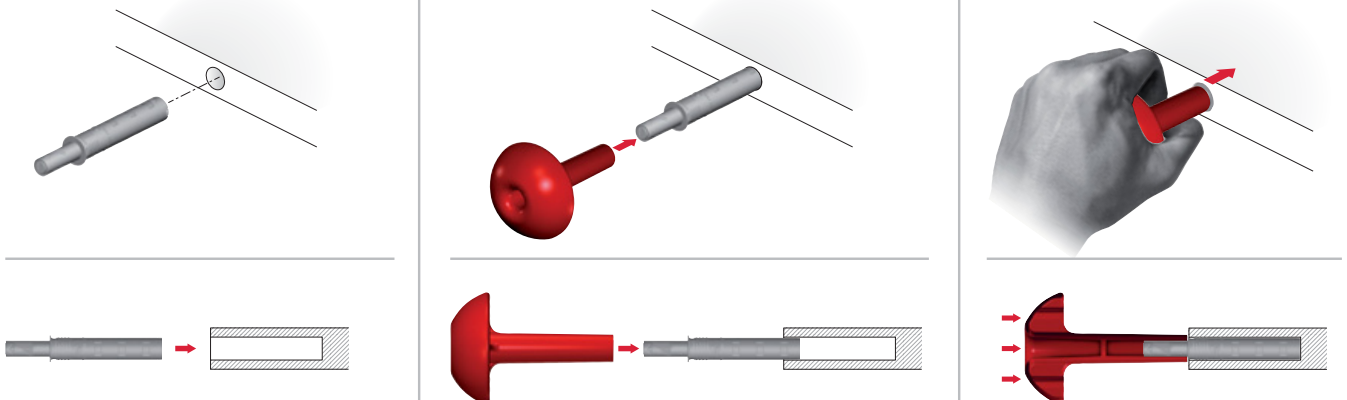


= Ø 5 mm +
 = PZ2
 = 5000 pcs.

60501050YA

K PUSH TECH INSTALLING TOOL

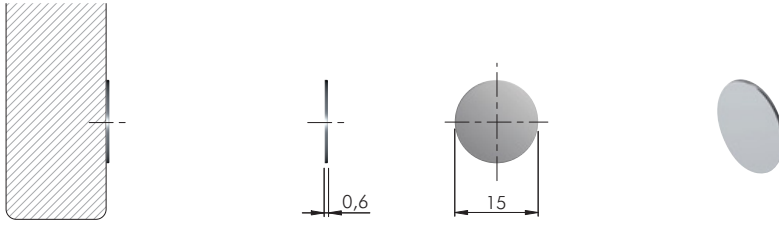
APPLICATION



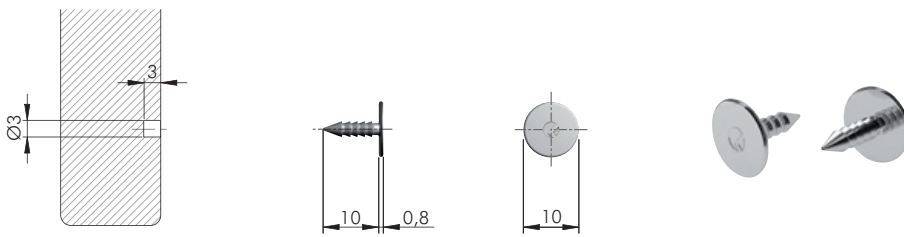
= on request

57112000RO

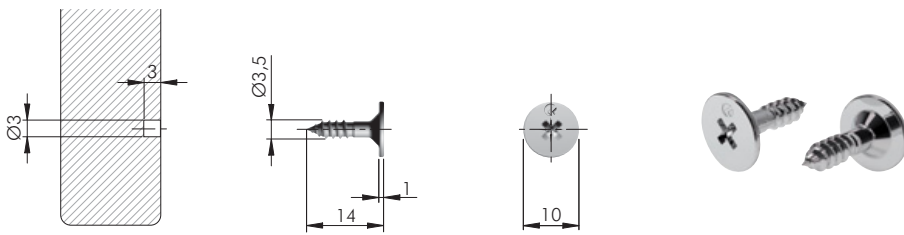
K PUSH TECH AND K LOCK DOOR PLATES



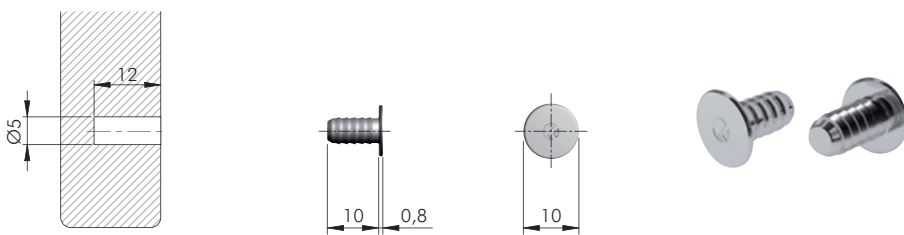
= Ø 3 mm
 = 100 pcs.
 |
 55006020XD



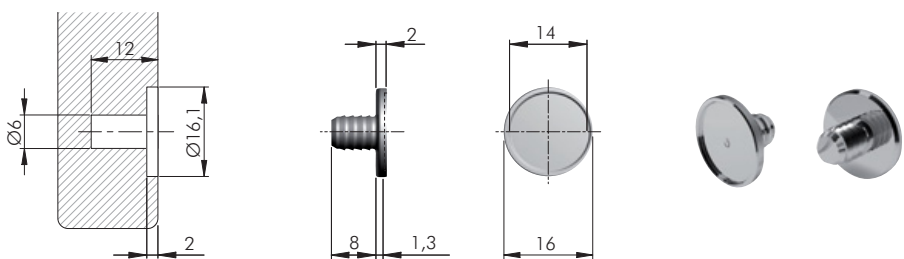
= Ø 3 mm
 = 100 pcs.
 |
 55006030YA



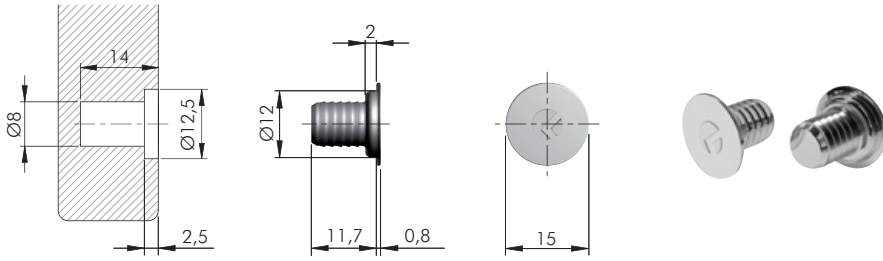
= Ø 3 mm = PZ2
 = 100 pcs.
 |
 55006100YA



= Ø 5 mm
 = 100 pcs.
 |
 55006040YA

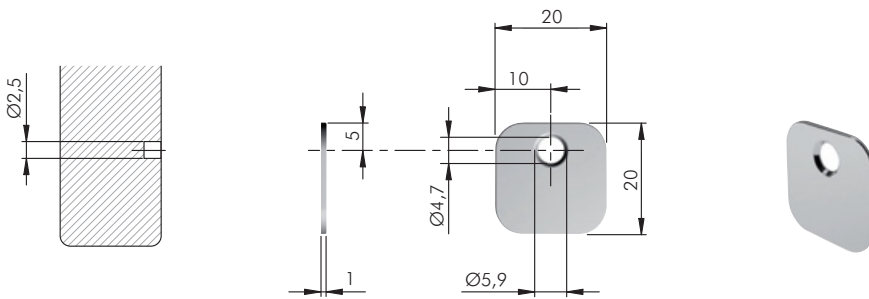


= Ø 6 mm
 = 100 pcs.
 |
 55006070YA



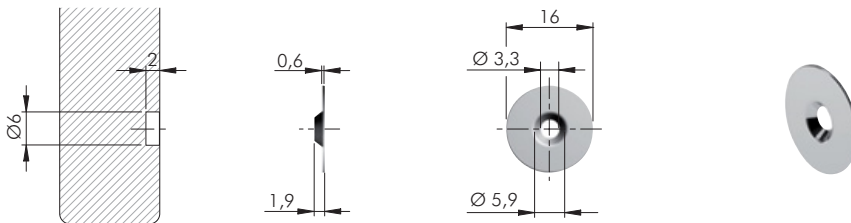
= Ø 8 mm
 = 100 pcs.

|
 55006050YA



= Ø 2,5 mm
 = 100 pcs.

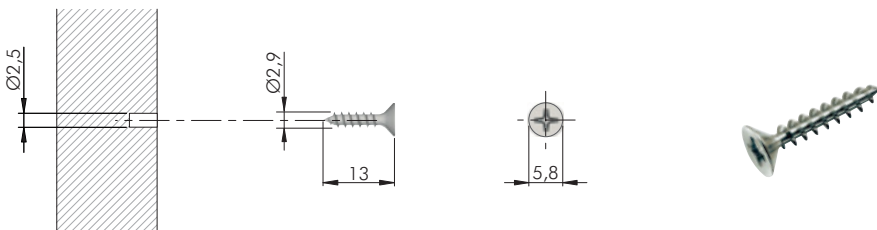
|
 55006120YA



= Ø 6 mm
 = 100 pcs.

|
 55006130YA

ACCESSORY FOR PART.NO 55006130YA AND 55006120YA



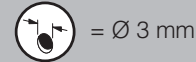
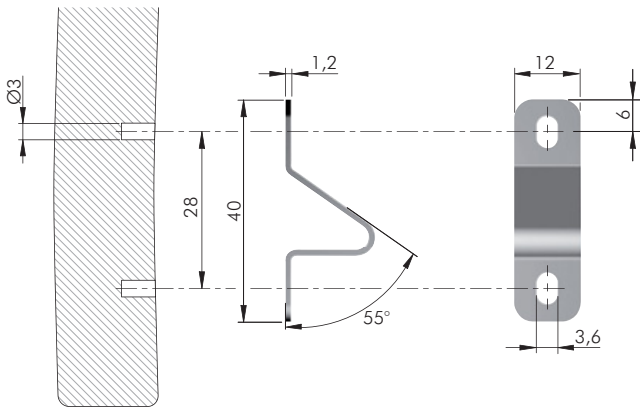
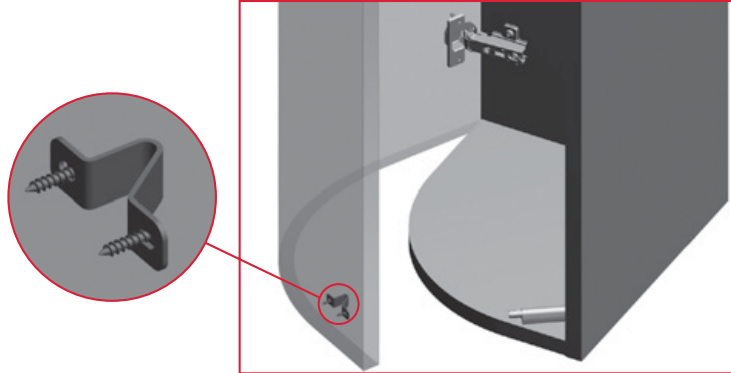
= Ø 2,5 mm +

= PZ1

= 100 pcs.

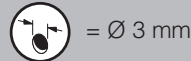
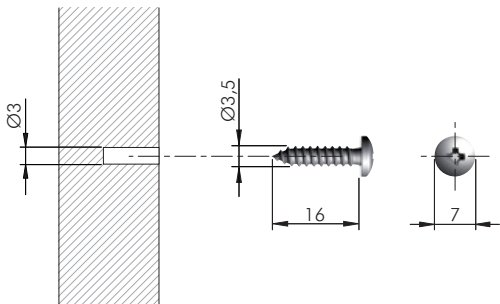
|
 60201140YA

PLATE FOR K PUSH WITH ADAPTER HOUSING FOR CURVED DOORS

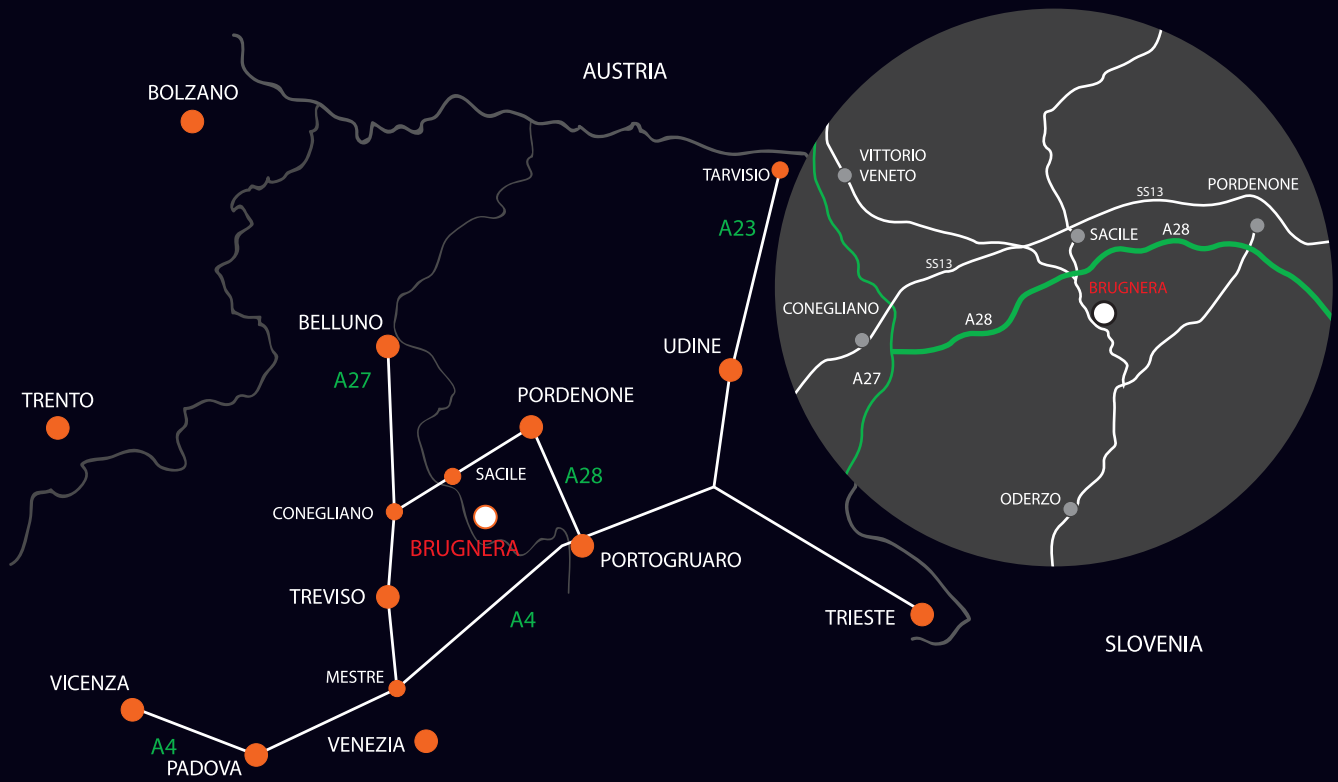


55006110YA

ACCESSORY FOR PART.NO 55006110YA



60103140YA



www.italianaferramenta.com