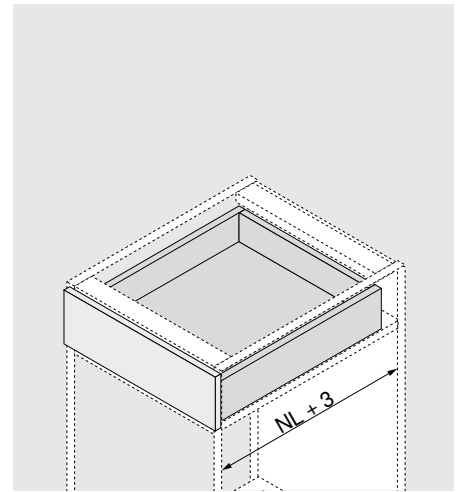


## 560H locking device feature – full extension – integrated TIP-ON



- Concealed TANDEM full extension for wooden drawers with a panel thickness of 11 to 16 mm
- Includes integrated TIP-ON motion technology – the mechanical opening system
- Low-friction cylindrical nylon rollers ensure a feather-light glide
- Tool-free height adjustment via a locking device
- Tool-free integrated front tilt adjustment
- Integrated tool-free depth adjustment
- Recommendation: optional TIP-ON synchronisation for secure triggering even with wide fronts



### Ordering information

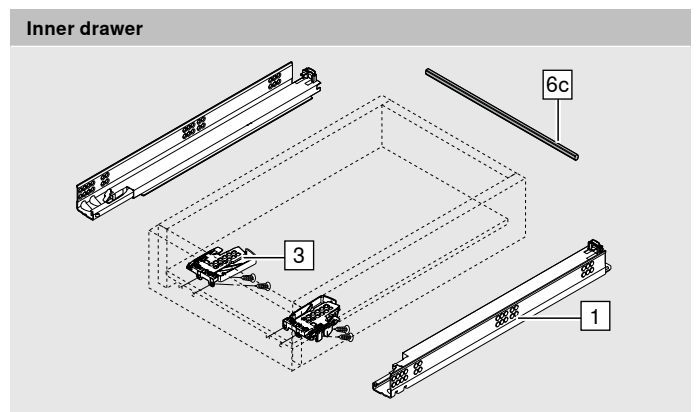
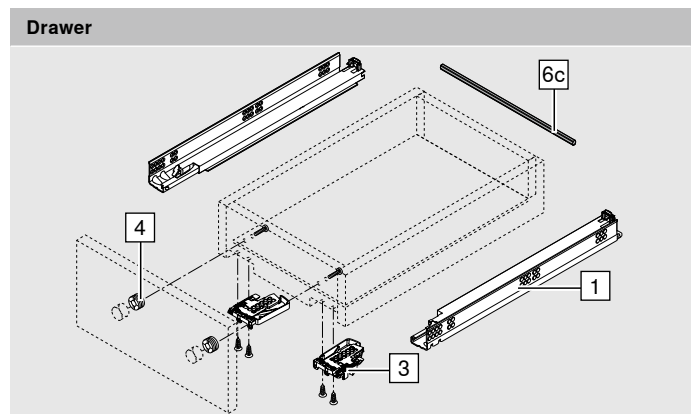
1	Runners left/right	
	Nominal length NL	Load bearing capacity
	mm	30 kg
	250	560H2500T
	270	560H2700T
	300	560H3000T
	320	560H3200T
	350	560H3500T
	380	560H3800T
	400	560H4000T
	420	560H4200T
	450	560H4500T
	480	560H4800T
	500	560H5000T
	520	560H5200T
550	560H5500T	
600	560H6000T	
Integrated TIP-ON		

3	Locking device left/right	
	Nylon/zinc	T51.1700.04
	Orange	
	With height adjustment	
	Order left and right	

### Accessories

4	Front adjuster	
	Nylon	295.1000
	Natural	

6c	TIP-ON synchronisation linkage		
	Cabinet width KB (mm)	Version	T57.1140S
	Up to 1200	Profile linkage	
For cutting to size			
We recommend the use of a synchronisation linkage for every cabinet width.			
Cutting dimensions: internal cabinet width LW – 31 mm			



### 560H locking device feature – full extension – integrated TIP-ON

#### Planning

Space requirements in the cabinet	Drawer/inner drawer	Drawer	Inner drawer
	<p>SKW Internal drawer width</p> <p>LW Internal cabinet width</p>	<p>SKL Drawer length</p> <p>NL Nominal length</p>	<p>ISKL Inner drawer length</p> <p>SKL Drawer length</p> <p>NL Nominal length</p> <p>X Front thickness</p>

#### Drawer assembly

Use drilling template T65.1000.02

Use drilling template T65.1000.02

#### Trigger range

Example for 560H – 30 kg, nominal length NL 500 mm, four sided drawer, with synchronisation