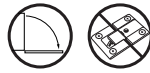
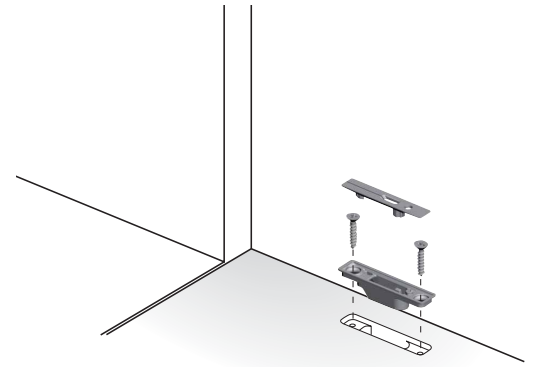
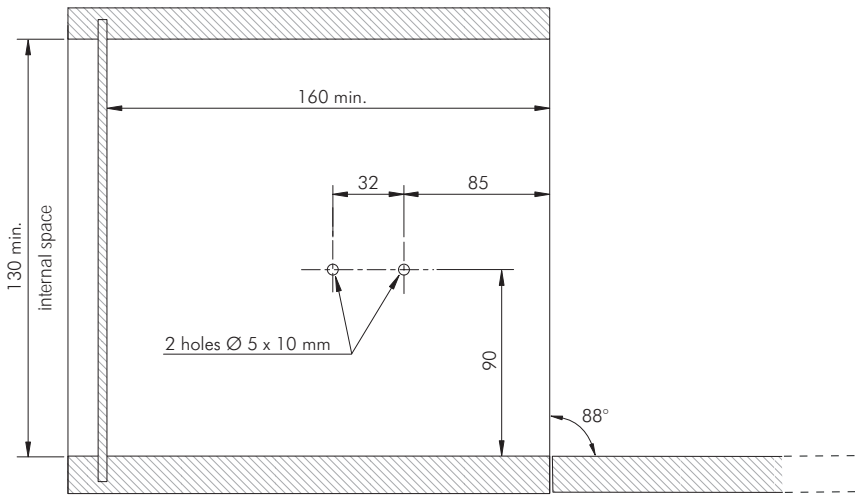


KIARO EASY WITH KIMANA HINGE

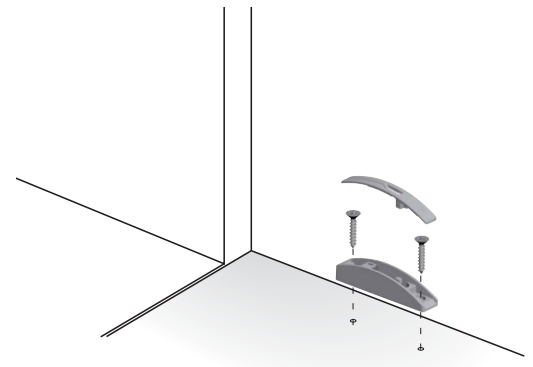
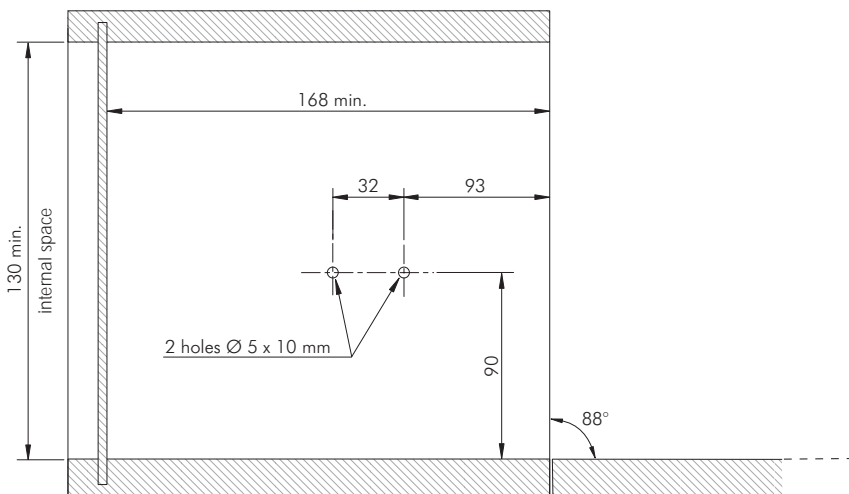


SIDE PANEL DRILLING PLAN WITH EMBEDDED DOOR BRACKET



Overcrossing 90° door opening angle, negatively affects the Kimana hinges.

SIDE PANEL DRILLING PLAN WITH SCREW FIXING DOOR BRACKET

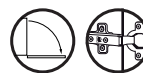


Overcrossing 90° door opening angle, negatively affects the Kimana hinges.

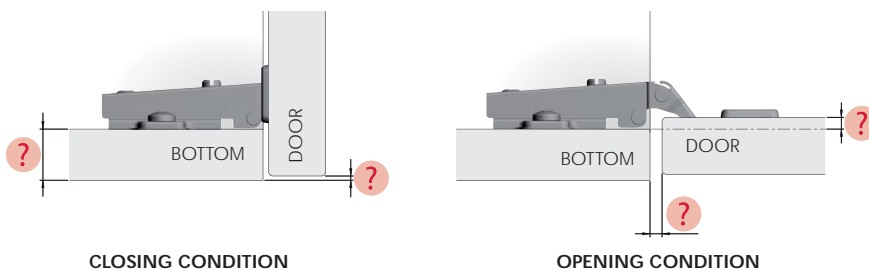


In case of door without handles it is recommended to use **K Push Tech with buffer**.

KIARO EASY WITH STANDARD UNSPRUNG HINGES

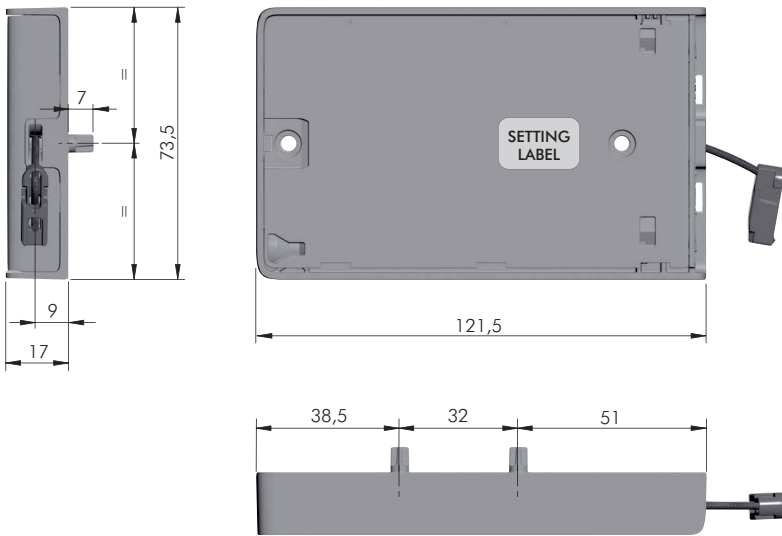


In case the hinges to be installed are not KIMANA hinges, please contact our technical department to receive the correct drilling plan. It is necessary to indicate all the values requested in the following diagram:





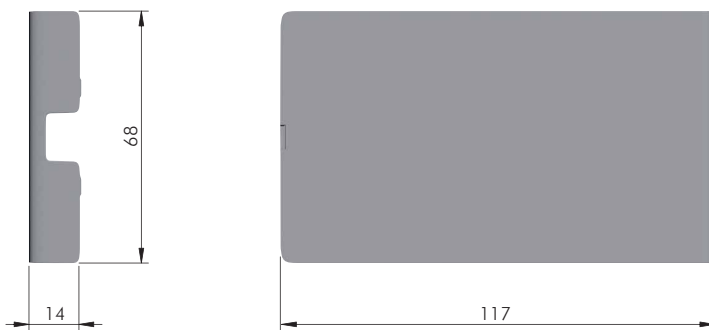
KIARO EASY MECHANISM



ZA	EP	ST	= 20 pcs.		
49504000EE	EW	LD	AB		Soft
49506000EE	EW	LD	AB		Strong



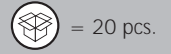
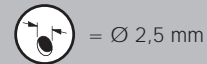
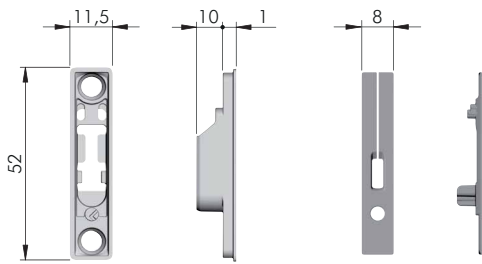
KIARO EASY COVER



EP	= 20 pcs.			
49502000EE	EW	LD	AB	



EMBEDDED DOOR BRACKET



49503000YQ



EE



YQ

49503000YA

EW

YA

49503010YQ

LD

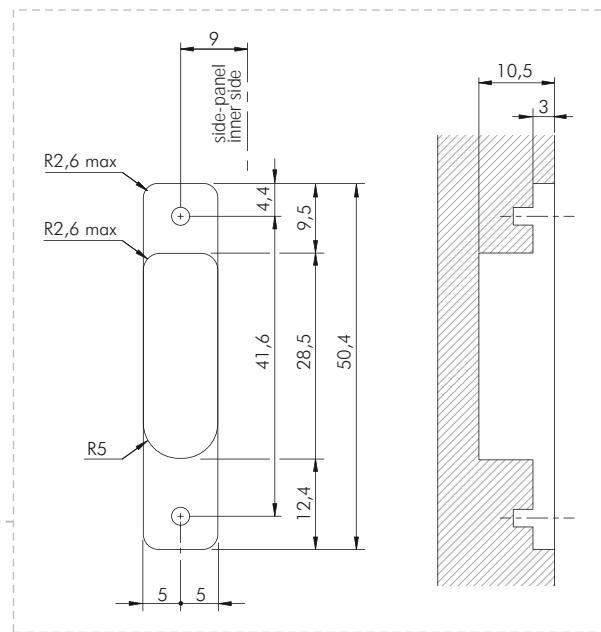
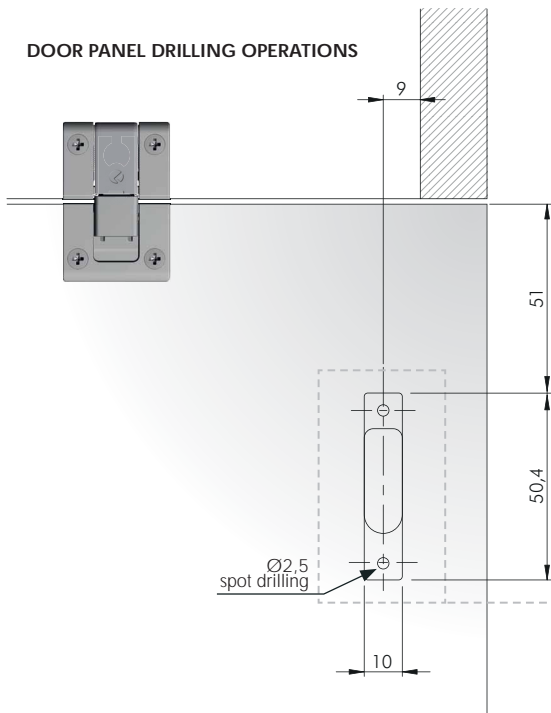
YQ

49503010YA

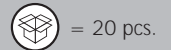
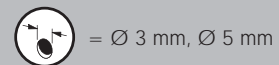
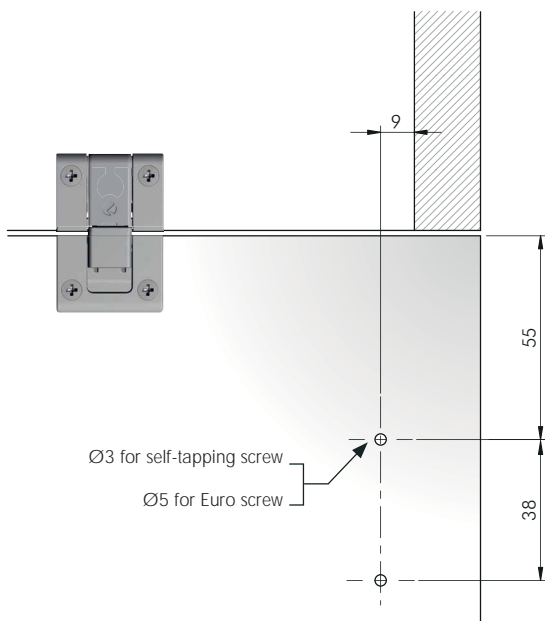
AB

YA

DOOR PANEL DRILLING OPERATIONS



SCREW FIXING DOOR BRACKET



49503500YQ



EE



YQ

49503500YA

EW

YA

49503510YQ

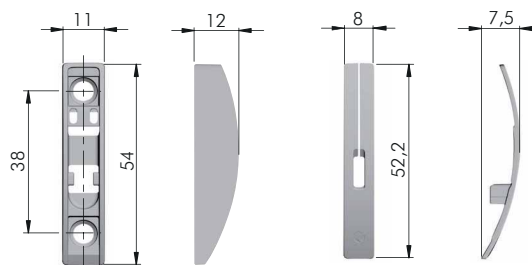
LD

YQ

49503510YA

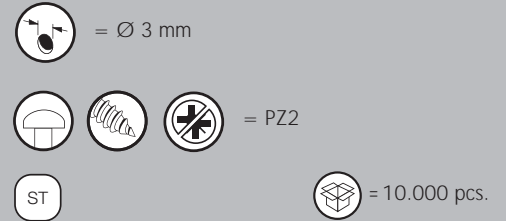
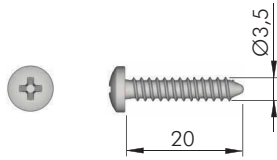
AB

YA



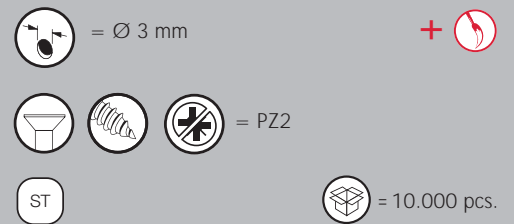
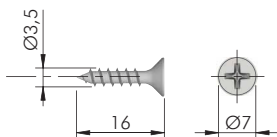


ACCESSORY FOR MECHANISM FIXING

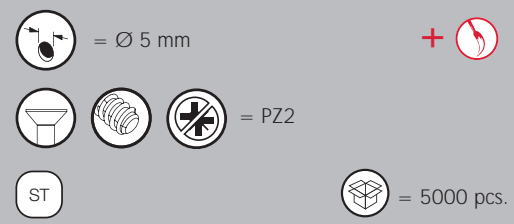
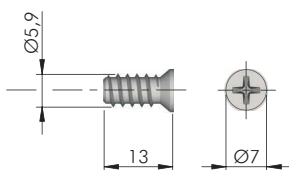


60103160Z^N

ACCESSORIES FOR DOOR BRACKET FIXING



60101390Z^N



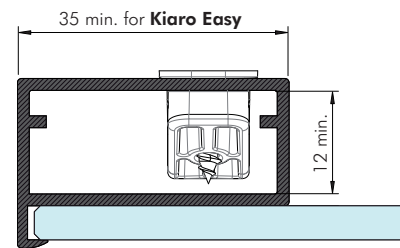
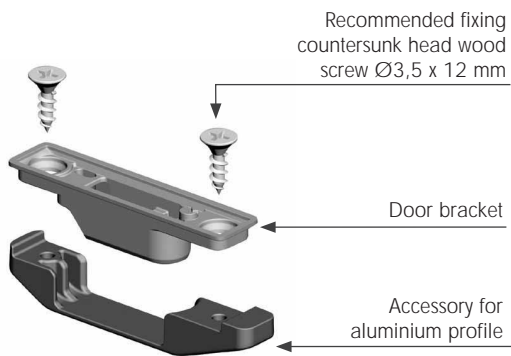
60503050Z^N

DOOR BRACKET ACCESSORY FOR DOORS WITH ALUMINIUM PROFILE

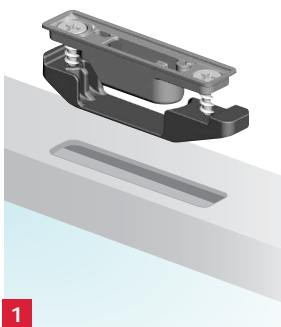


DOOR BRACKET INSTALLATION

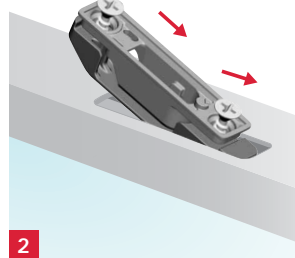
DOOR SPECIFICATION



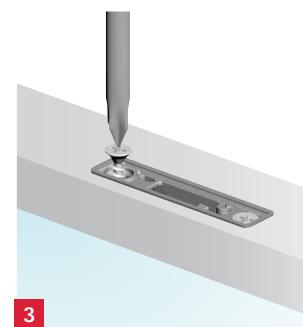
Join the door bracket with
the accessory keeping the
screws loose



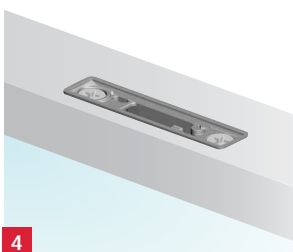
1



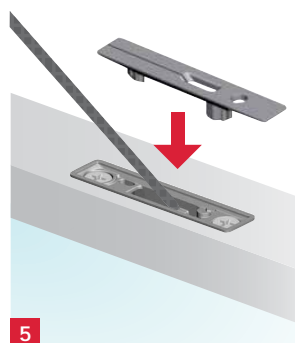
2



3



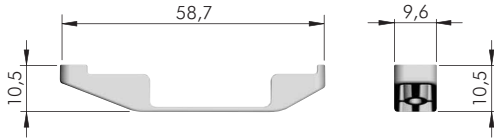
4



5

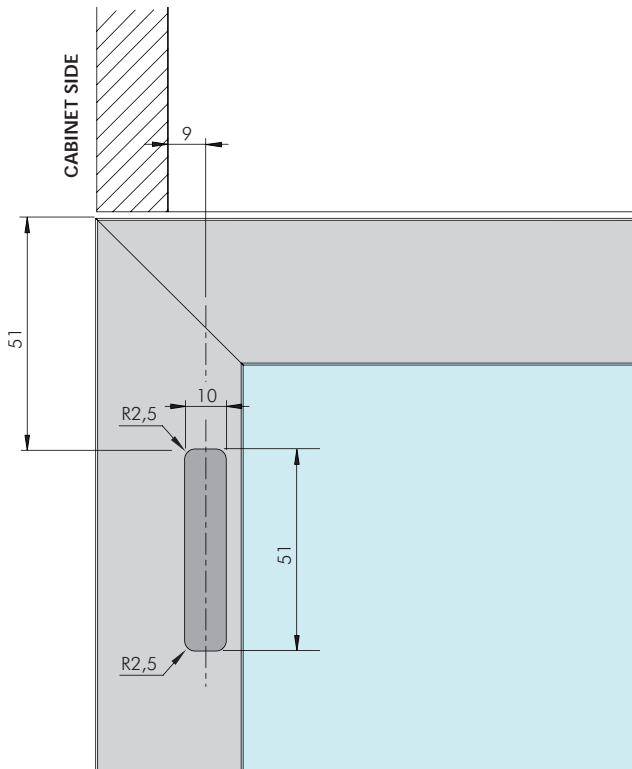


6

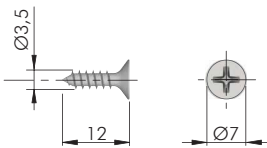


EP	= 1500 pcs.
4630208000	

DRILLING PLAN FOR KIARO EASY



FIXING ACCESSORY



= Ø 3 mm	
= PZ2	
ST	= 10.000 pcs.
60101380ZN	