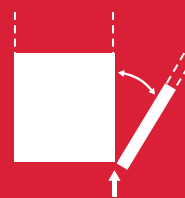
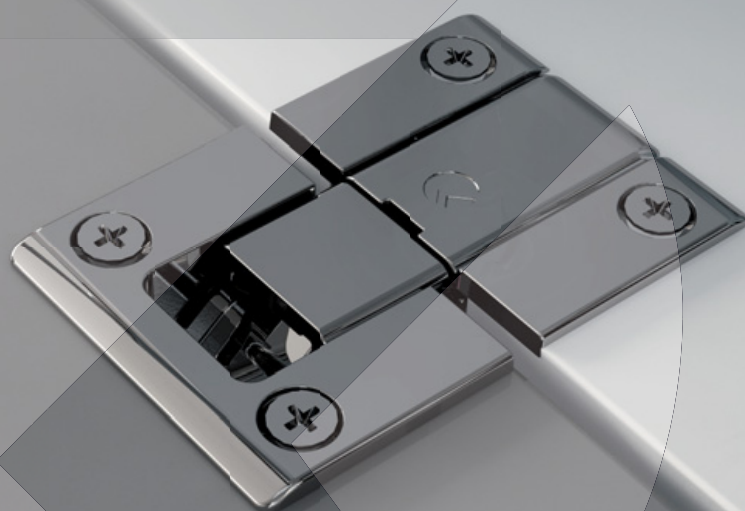


KIMANA

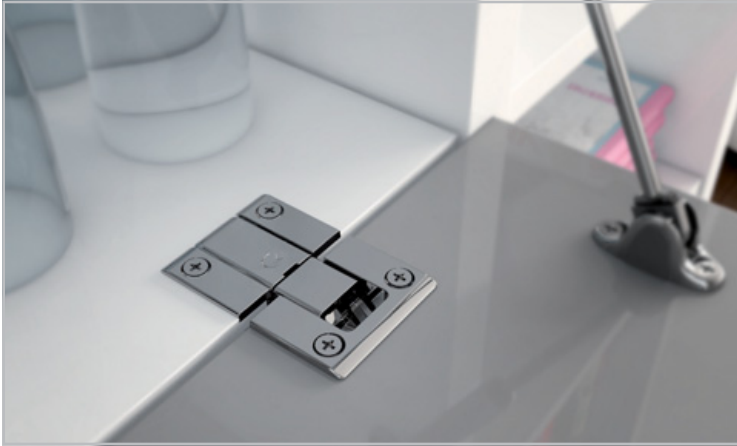


HINGES





KIMANA

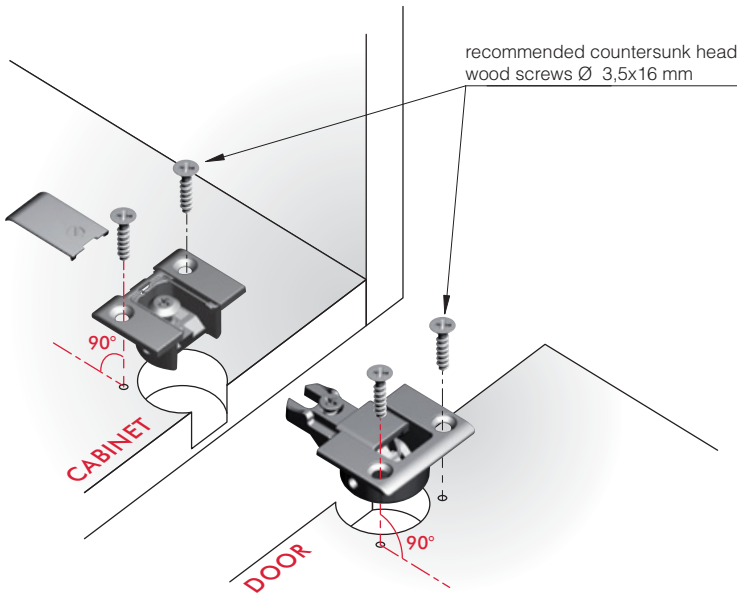


GOOD DESIGN AWARD, 2012

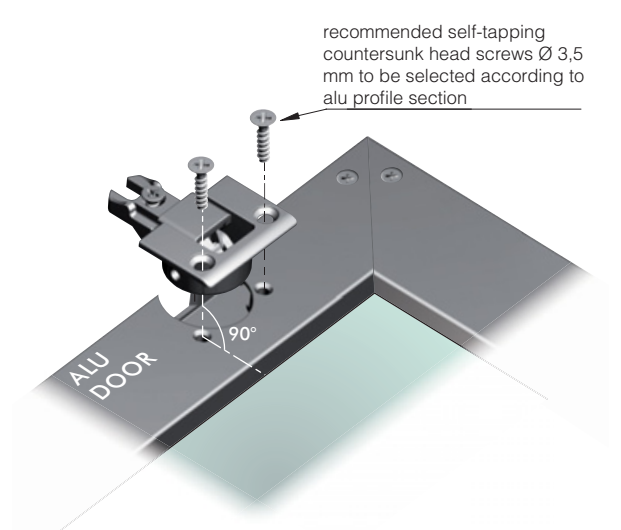
PAT. PENDING
REGISTERED DESIGN



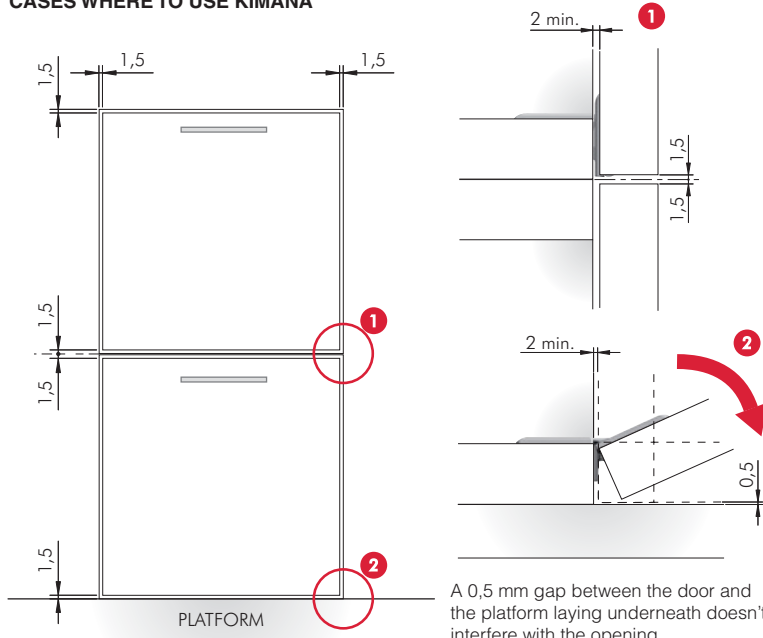
INSTALLATION ON UNIT WITH SOLID DOOR
(Application shown for minimum thickness 18 mm)



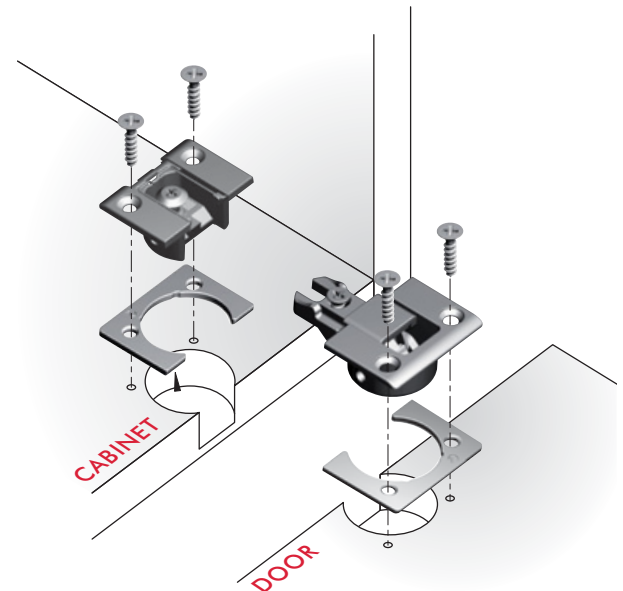
INSTALLATION ON UNIT WITH ALUMINIUM DOOR
(Application shown for minimum thickness 18 mm)



CASES WHERE TO USE KIMANA



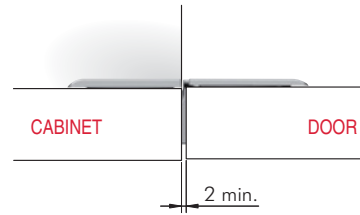
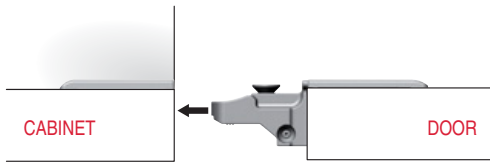
INSTALLATION WITH ADAPTER



For details refer to
"KIMANA ADAPTERS"

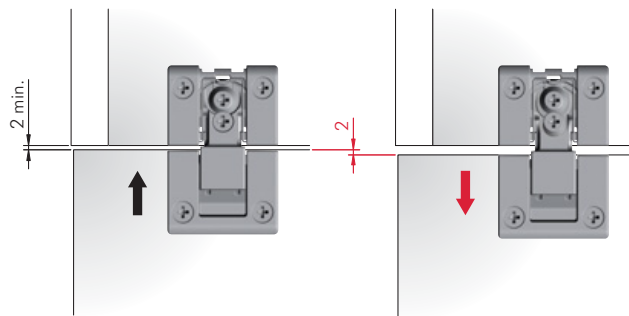


DOOR INSTALLATION



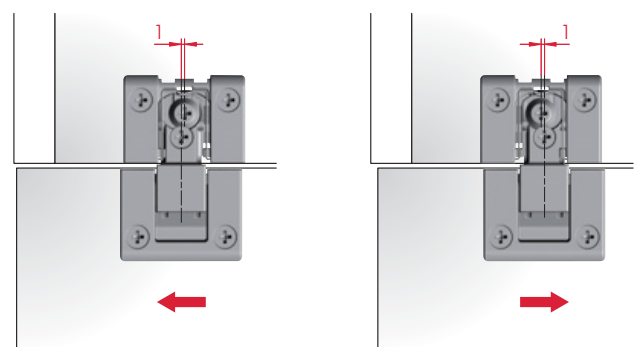
IN-DEPTH ADJUSTMENT 0+2 mm

⚠ TO BE MADE BEFORE LOCKING SCREW OPERATION ⚠



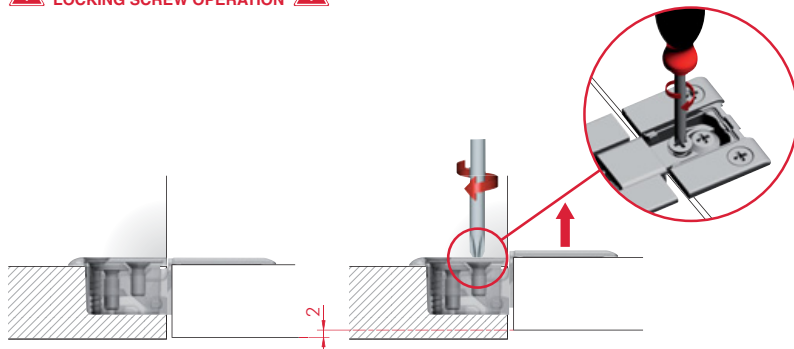
LATERAL ADJUSTMENT 0±1 mm

⚠ TO BE MADE BEFORE LOCKING SCREW OPERATION ⚠

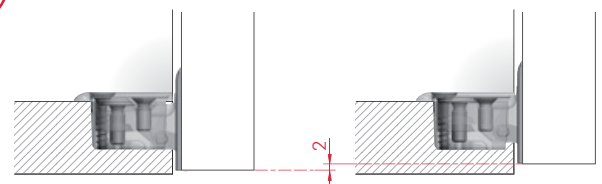


VERTICAL ADJUSTMENT 0+2 mm - DOOR OPEN

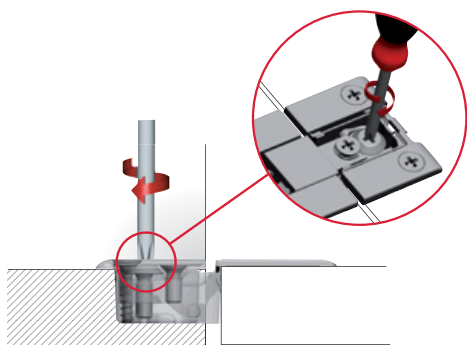
⚠ TO BE MADE BEFORE LOCKING SCREW OPERATION ⚠



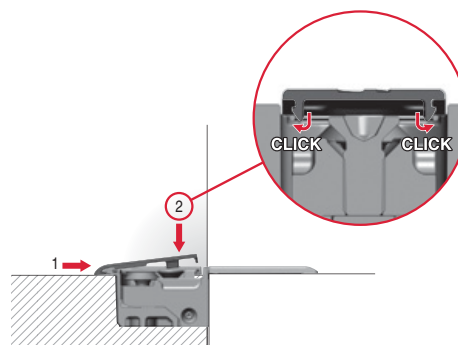
VERTICAL ADJUSTMENT +2 mm CARRIED OUT - DOOR CLOSED



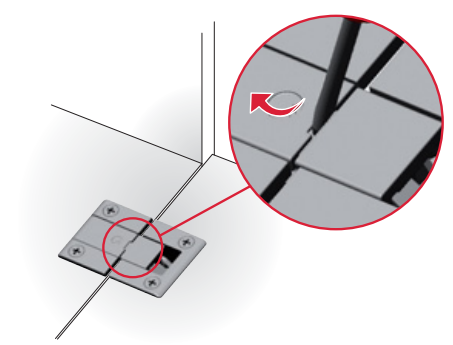
LOCKING SCREW

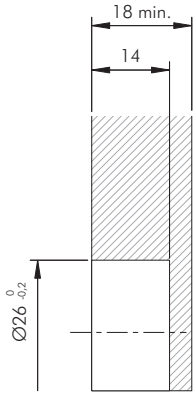


COVER CAP INSERTION

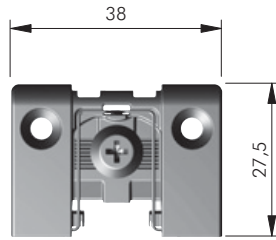
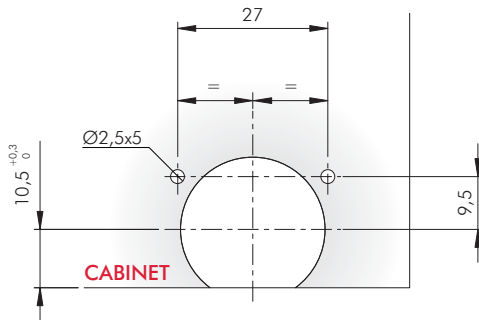


COVER CAP REMOVAL

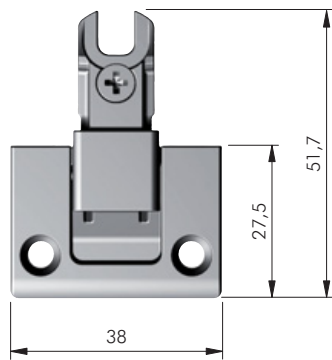




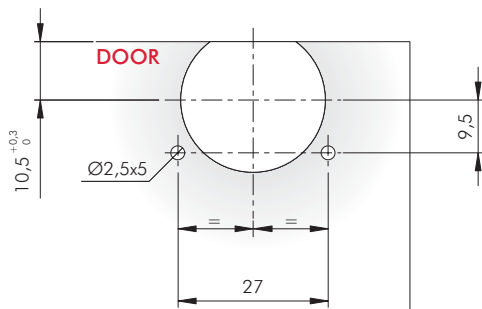
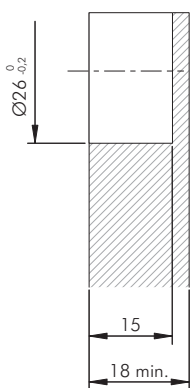
NOTE: For panel thickness lower than 18 mm, refer to "KIMANA ADAPTERS".



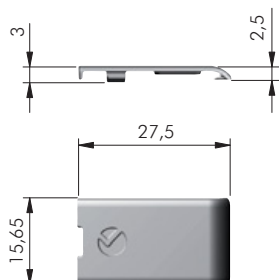
	ZA	ST	
	40115000YA		



	ZA	ST	
	40115010YA		



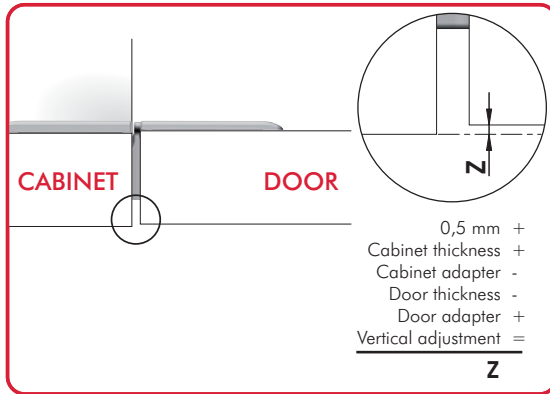
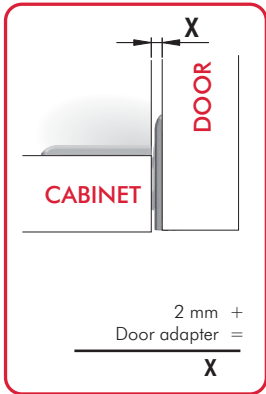
NOTE: For panel thickness lower than 18 mm, refer to "KIMANA ADAPTERS".



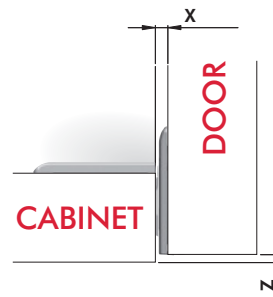
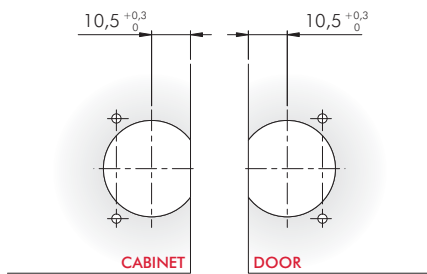
	ZA	
	40115040YA	



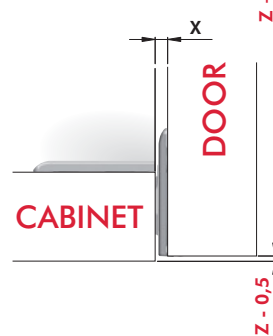
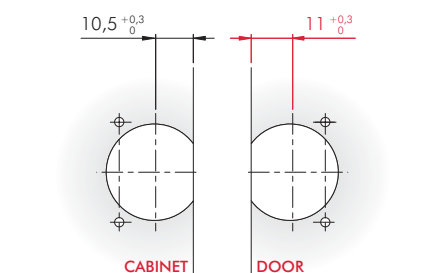
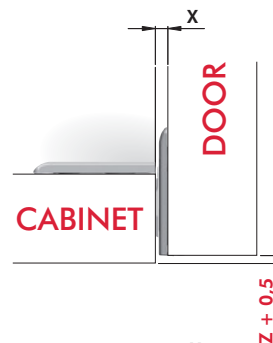
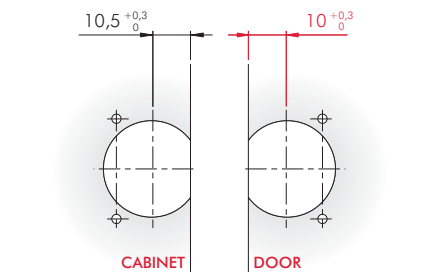
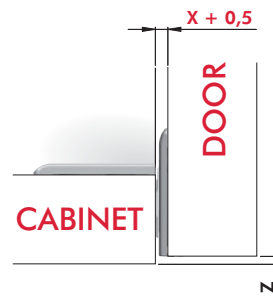
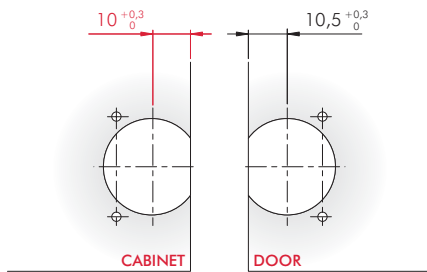
DRILLING PLAN SUGGESTIONS TO MODIFY "X" AND "Z" WHEN THE DOOR IS CLOSED



STANDARD DRILLING PLAN



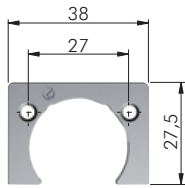
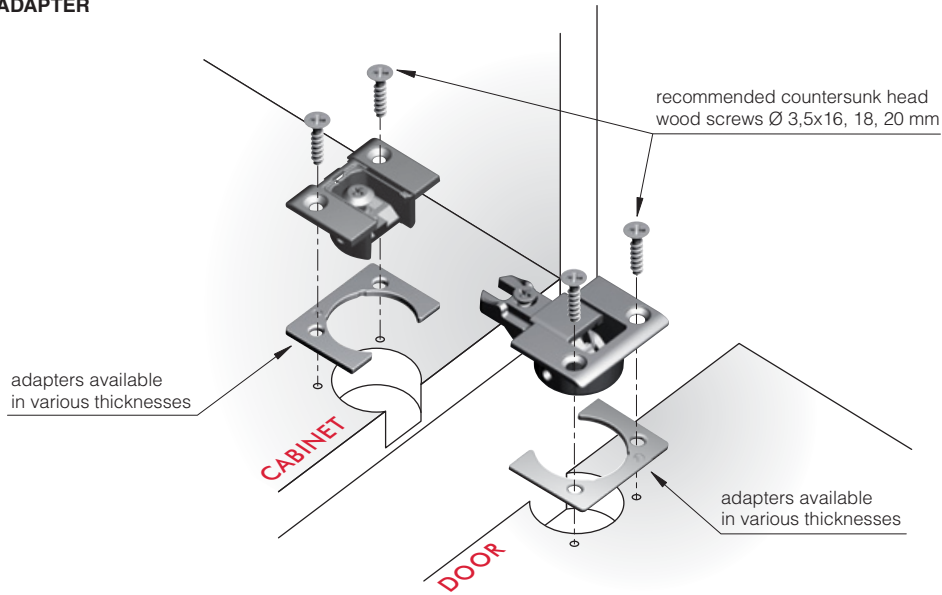
ALTERNATIVE DRILLING PLANS





KIMANA ADAPTERS

INSTALLATION WITH ADAPTER

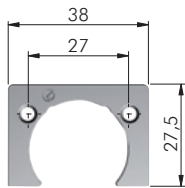


ZA

= on request



40115320YA

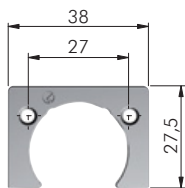


ZA

= on request



40115340YA

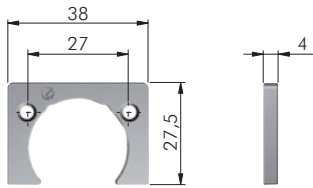


ZA

= on request



40115360YA

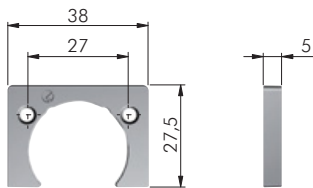


ZA

= on request



40115400YA



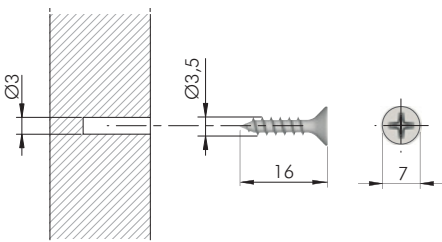
ZA

= on request



40115440YA

FIXING ACCESSORY FOR BOTH KIMANA AND ADAPTERS PART NO. 40115320YA - 40115340YA



= Ø 3 mm

= PZ2

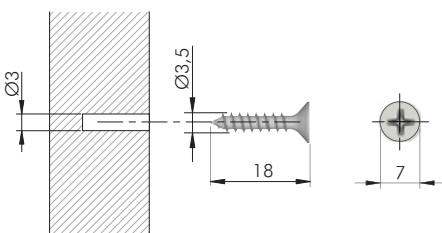
ST

= 10.000 pcs.



60101390YA

FIXING ACCESSORY FOR KIMANA ADAPTERS PART NO. 40115360YA - 40115400YA



= Ø 3 mm

= PZ2

ST

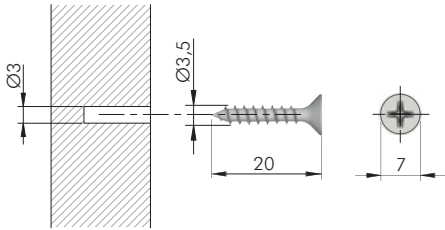
= 10.000 pcs.













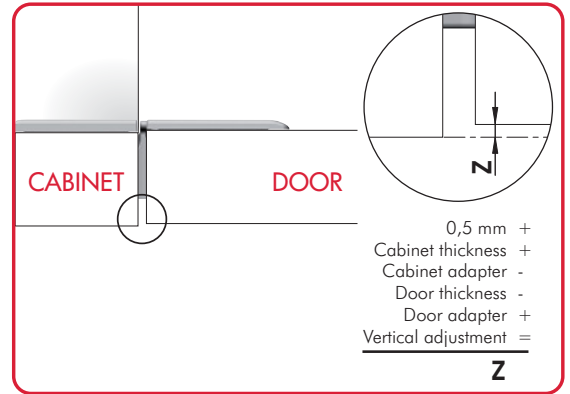
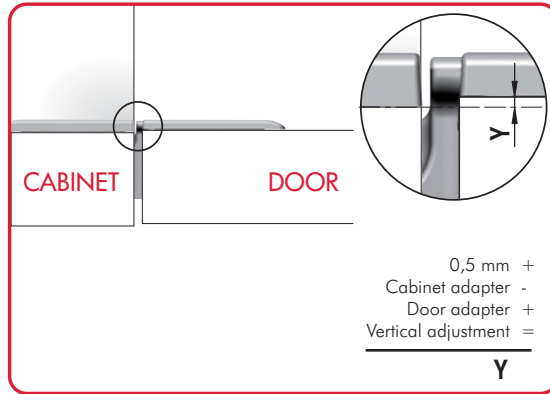
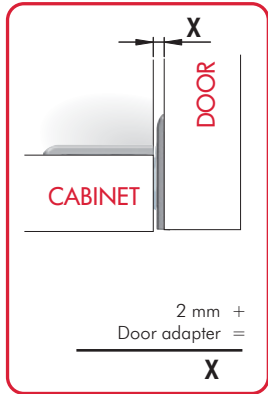
60101400YA



FIXING ACCESSORY FOR KIMANA ADAPTER PART NO. 40115440YA

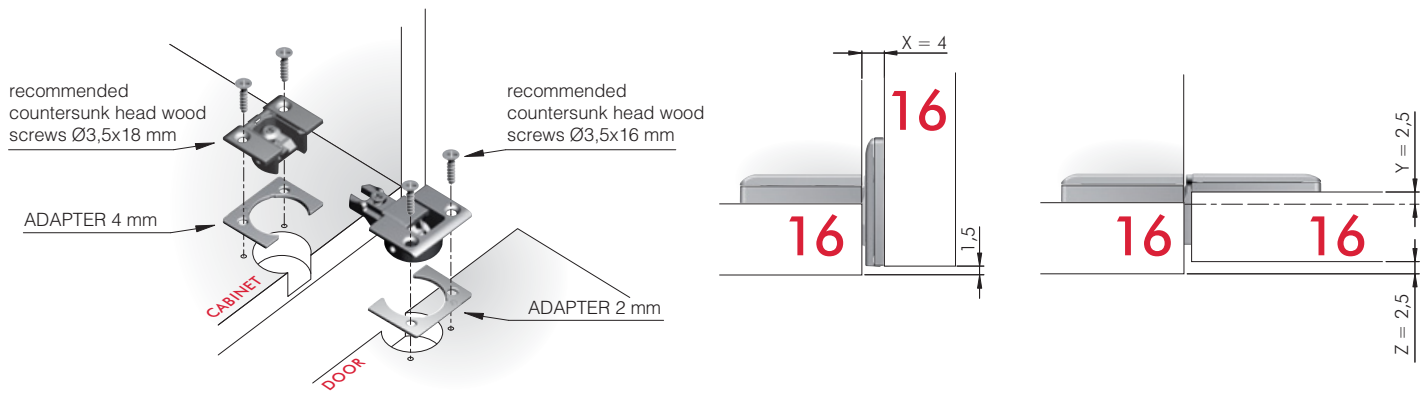


 = Ø 3 mm	 
   = PZ2	
 ST	 = 10.000 pcs.
 	
60101410YA	



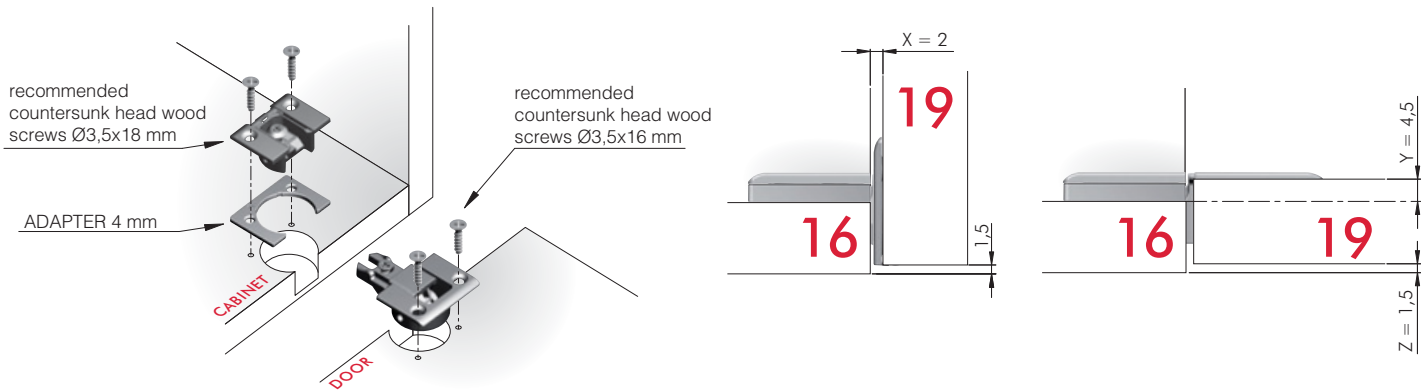
CABINET 16 mm WITH ADAPTER 4 mm THICK - DOOR 16 mm WITH ADAPTER 2 mm THICK

0 + 2 mm FURTHER VERTICAL ADJUSTMENT



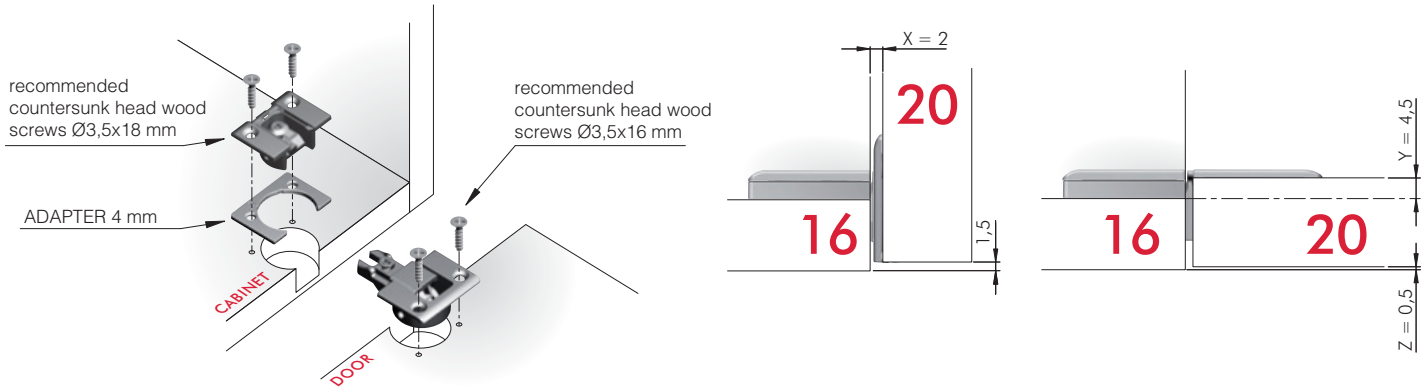
CABINET 16 mm WITH ADAPTER 4 mm THICK - DOOR 19 mm WITHOUT ADAPTER

0 + 2 mm FURTHER VERTICAL ADJUSTMENT



CABINET 16 mm WITH ADAPTER 4 mm THICK - DOOR 20 mm WITHOUT ADAPTER

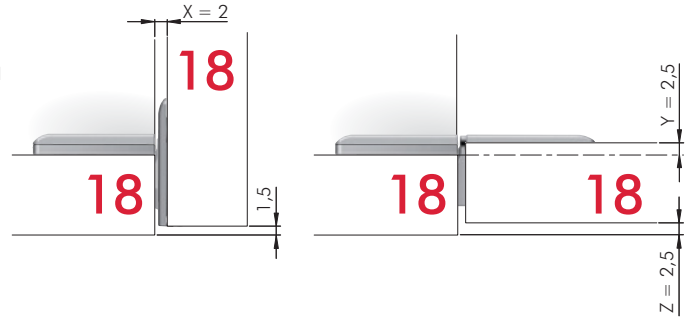
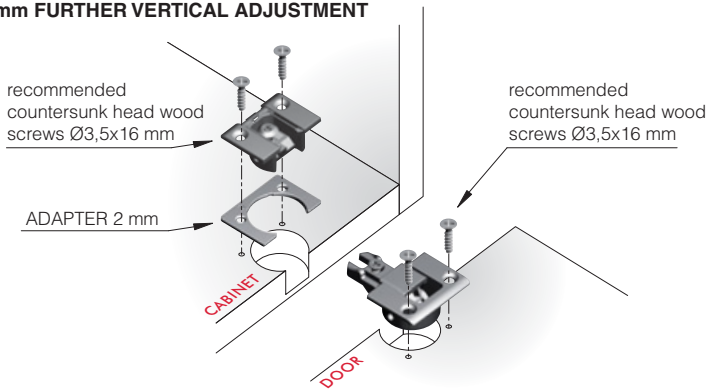
0 + 2 mm FURTHER VERTICAL ADJUSTMENT





CABINET 18 mm WITH ADAPTER 2 mm THICK - DOOR 18 mm WITHOUT ADAPTER

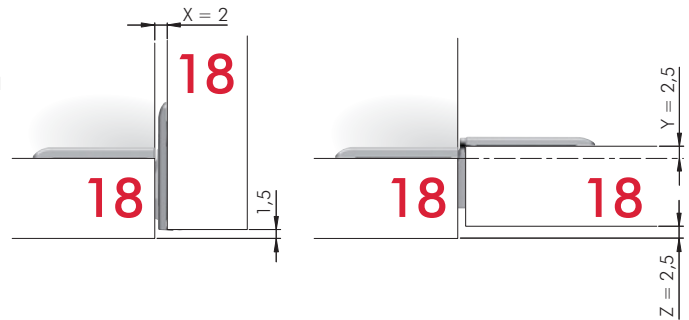
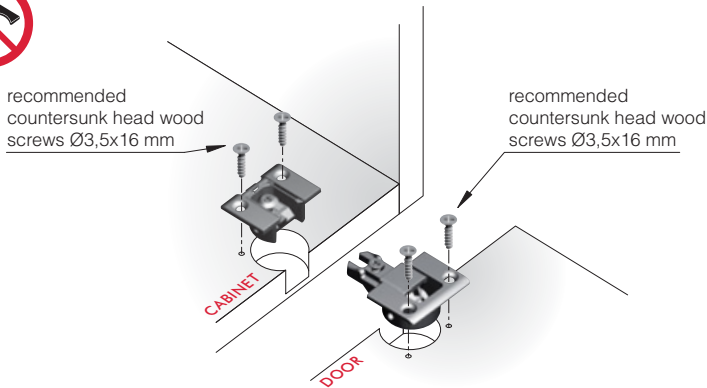
0 + 2 mm FURTHER VERTICAL ADJUSTMENT



CABINET 18 mm WITHOUT ADAPTER - DOOR 18 mm WITHOUT ADAPTER

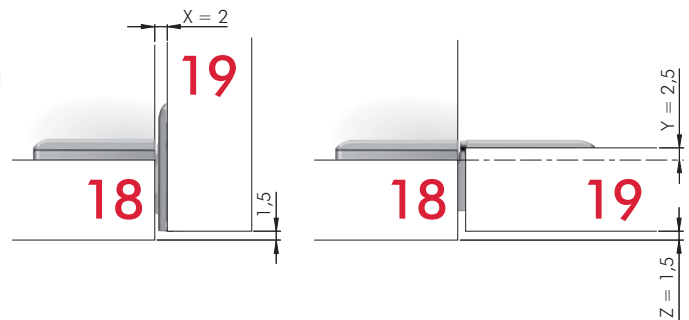
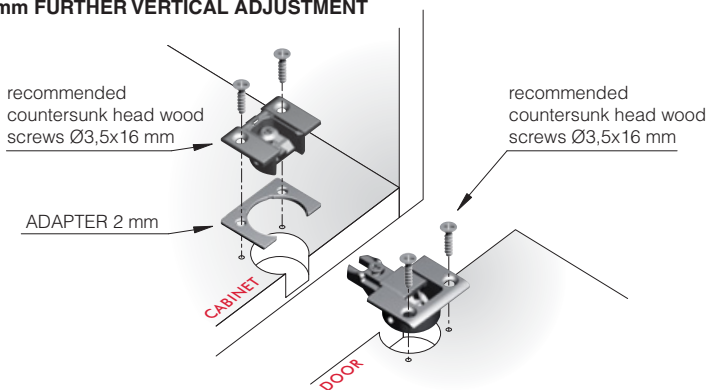


WITH VERTICAL ADJUSTMENT + 2 mm CARRIED OUT



CABINET 18 mm WITH ADAPTER 2 mm THICK - DOOR 19 mm WITHOUT ADAPTER

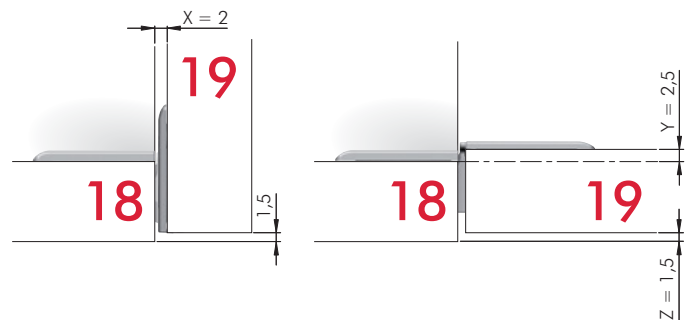
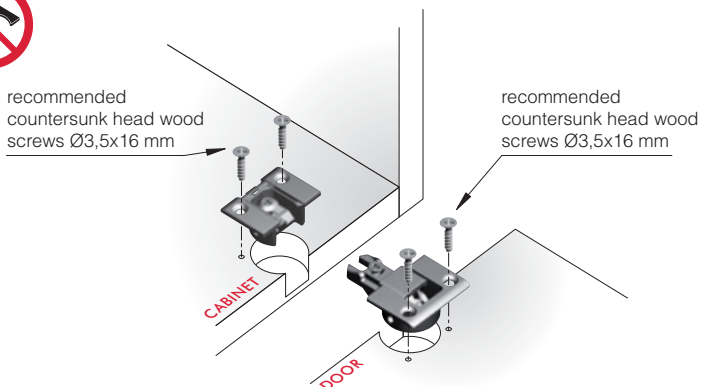
0 + 2 mm FURTHER VERTICAL ADJUSTMENT



CABINET 18 mm WITHOUT ADAPTER - DOOR 19 mm WITHOUT ADAPTER

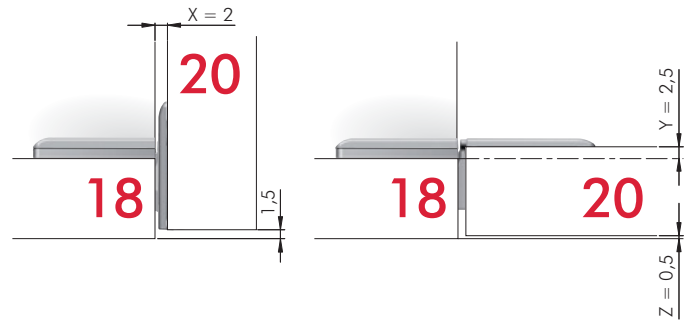
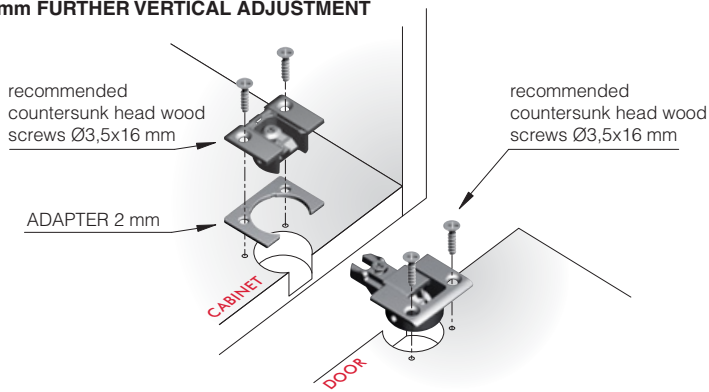


WITH VERTICAL ADJUSTMENT + 2 mm CARRIED OUT



CABINET 18 mm WITH ADAPTER 2 mm THICK - DOOR 20 mm WITHOUT ADAPTER

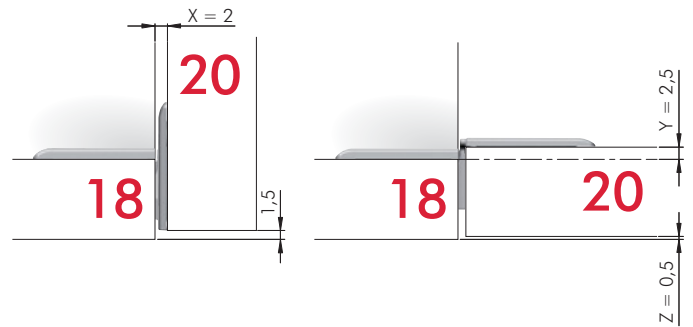
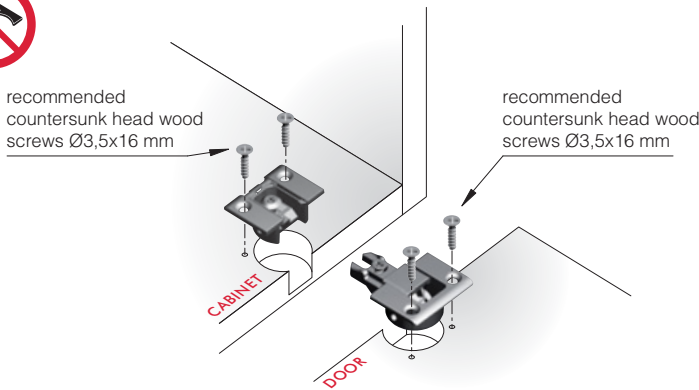
0 + 2 mm FURTHER VERTICAL ADJUSTMENT



CABINET 18 mm WITHOUT ADAPTER - DOOR 20 mm WITHOUT ADAPTER

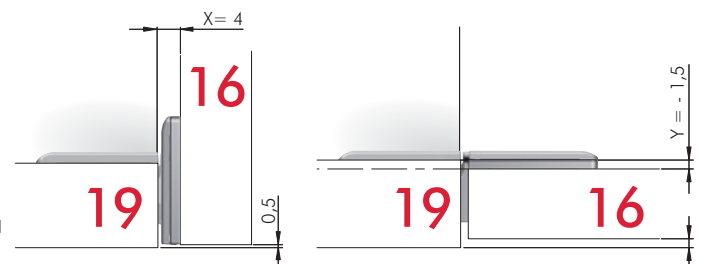
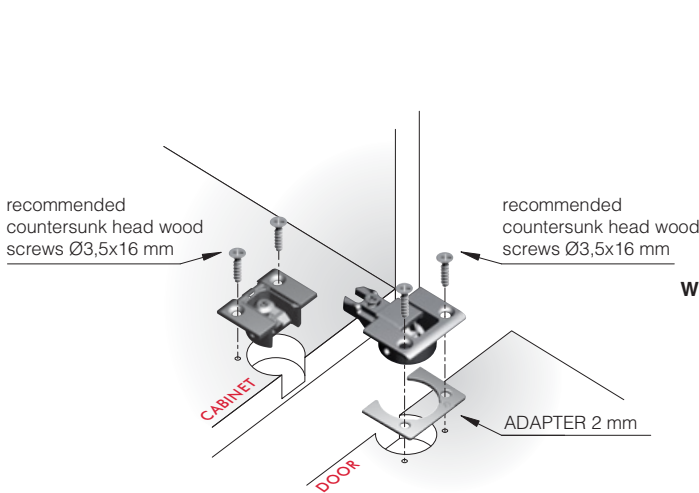


WITH VERTICAL ADJUSTMENT + 2 mm CARRIED OUT

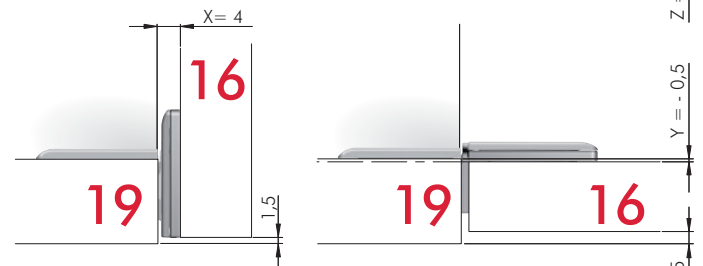


CABINET 19 mm WITHOUT ADAPTER - DOOR 16 mm WITH ADAPTER 2 mm THICK

0 + 2 mm FURTHER VERTICAL ADJUSTMENT

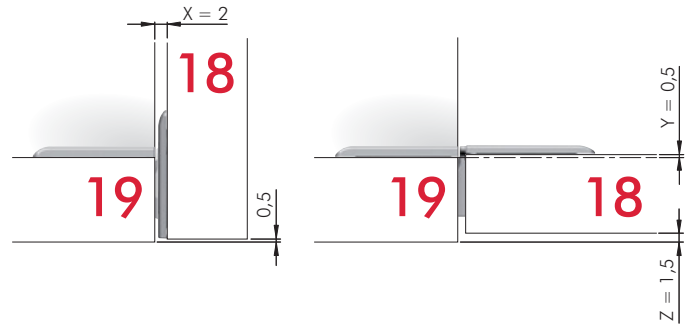
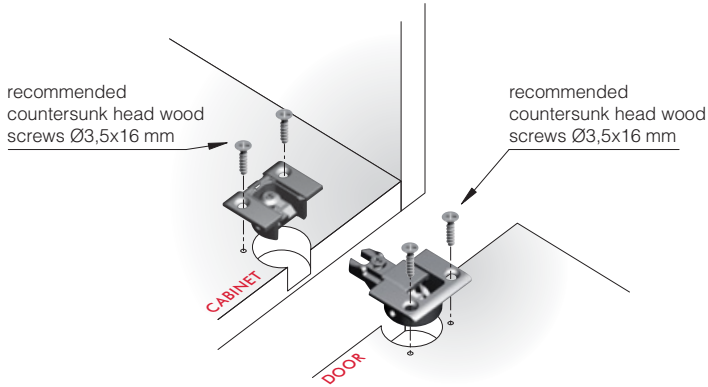


WITH VERTICAL ADJUSTMENT + 1 mm CARRIED OUT

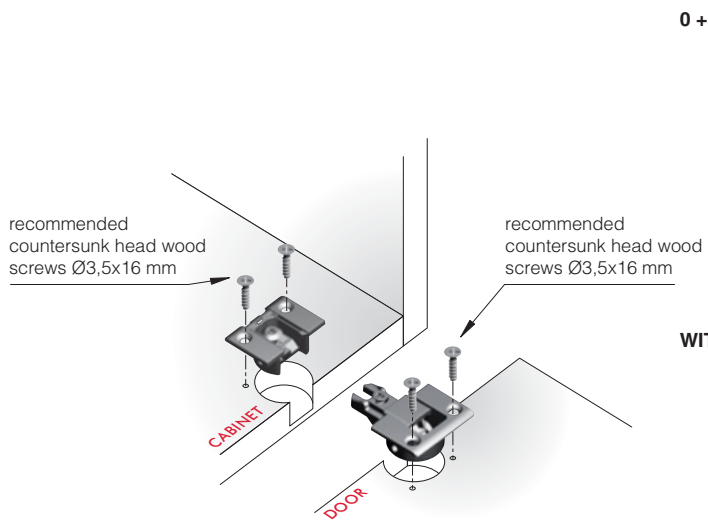




CABINET 19 mm WITHOUT ADAPTER - DOOR 18 mm WITHOUT ADAPTER



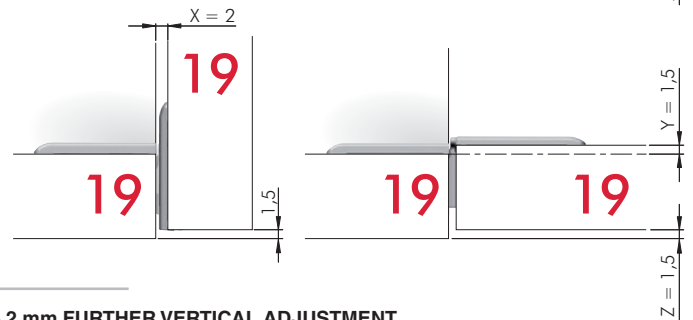
CABINET 19 mm WITHOUT ADAPTER - DOOR 19 mm WITHOUT ADAPTER



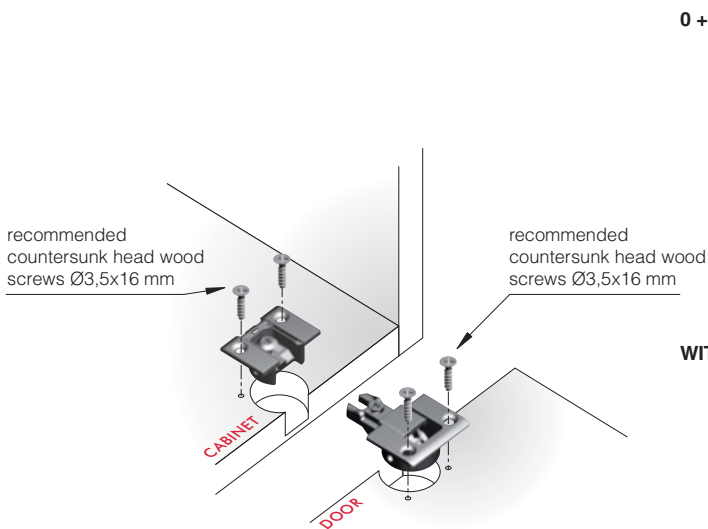
0 + 2 mm FURTHER VERTICAL ADJUSTMENT



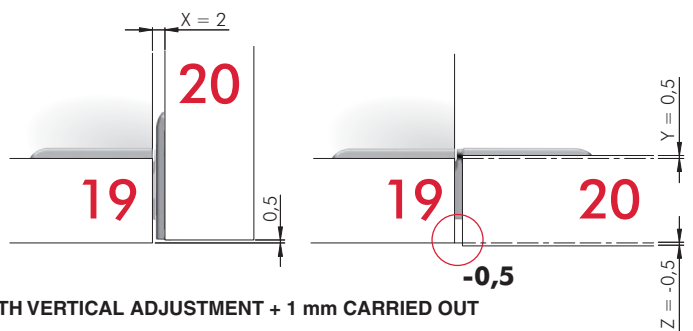
WITH VERTICAL ADJUSTMENT + 1 mm CARRIED OUT



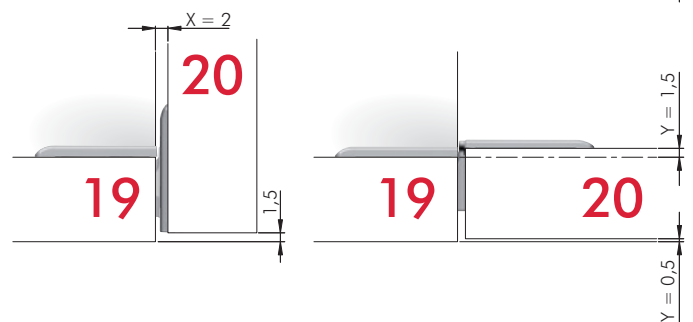
CABINET 19 mm WITHOUT ADAPTER - DOOR 20 mm WITHOUT ADAPTER

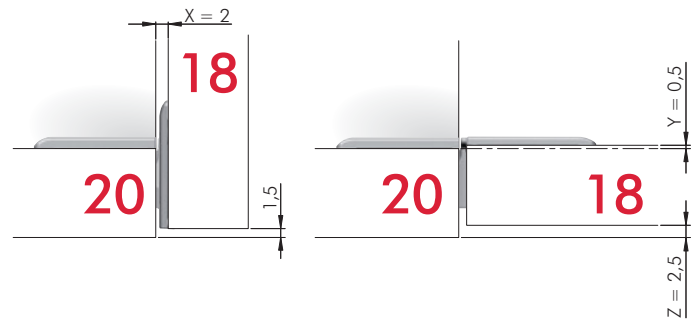
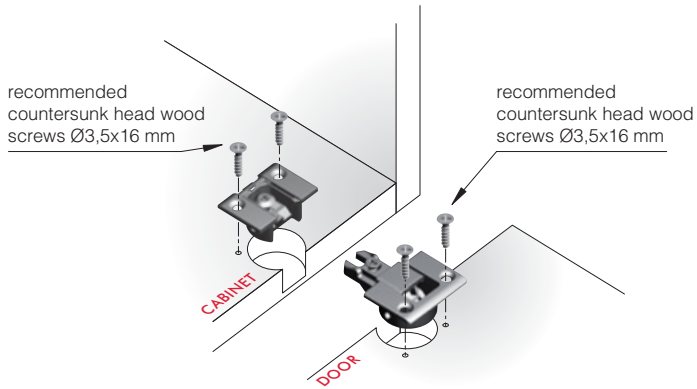
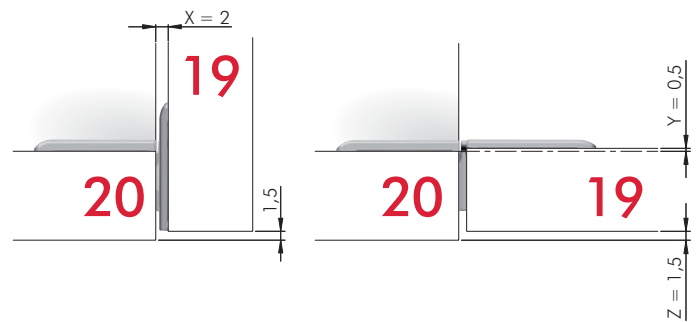
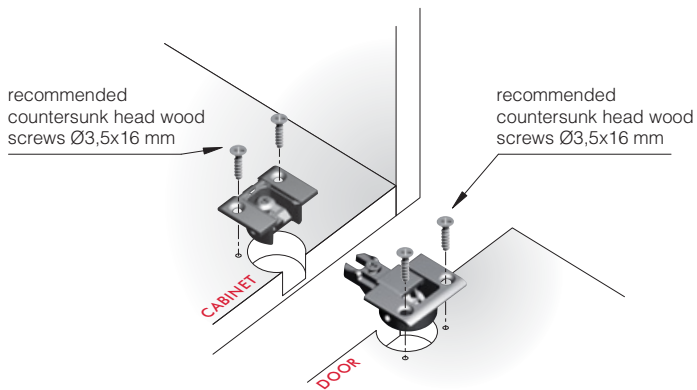
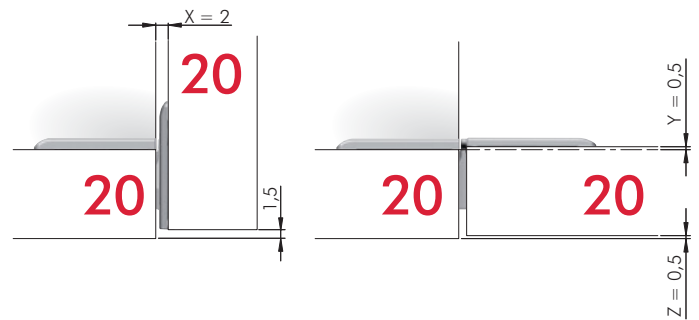
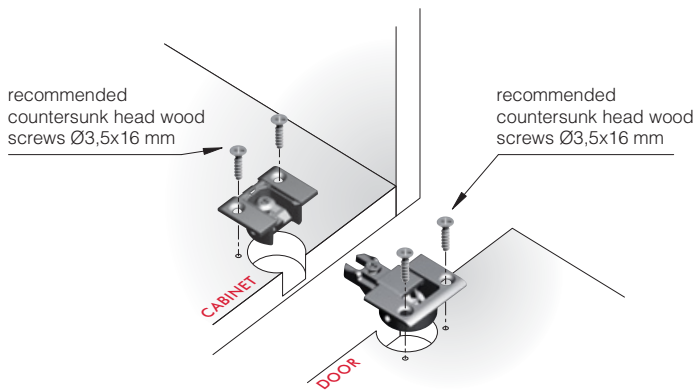


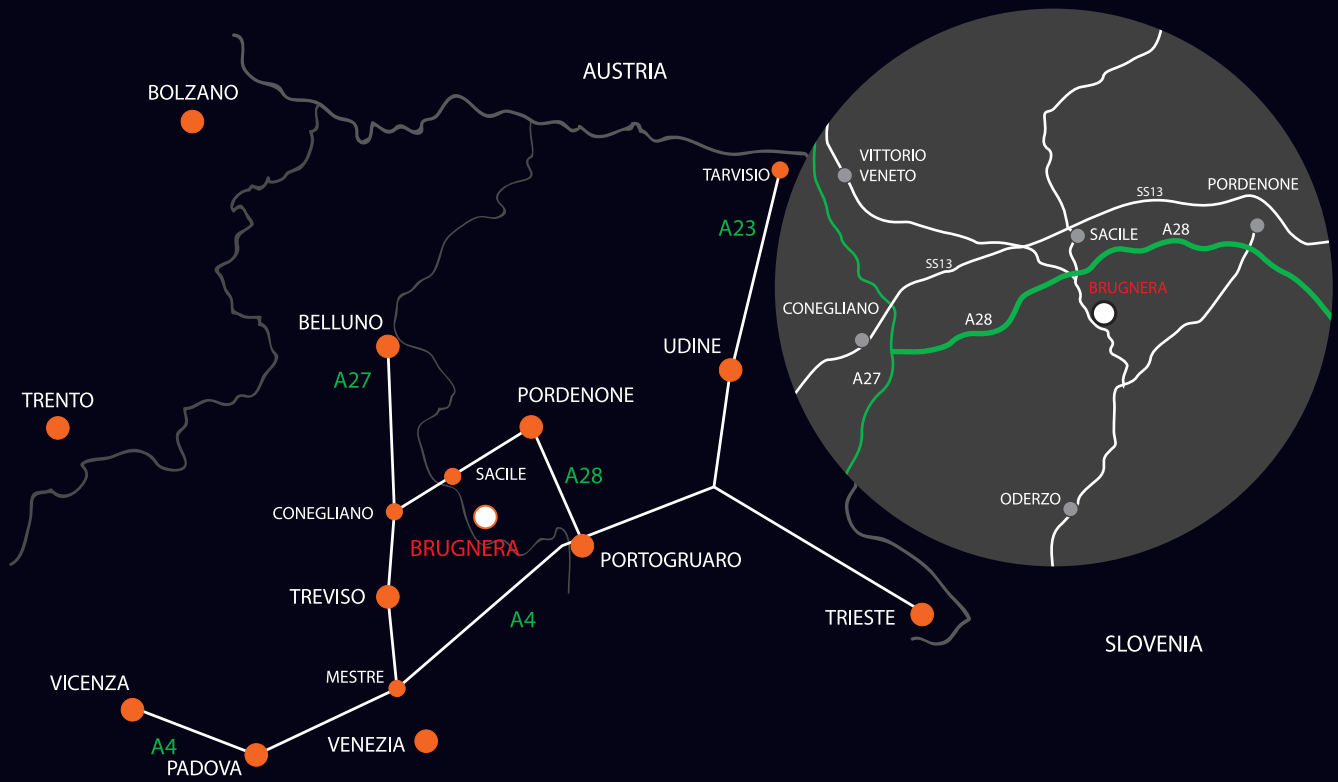
0 + 2 mm FURTHER VERTICAL ADJUSTMENT



WITH VERTICAL ADJUSTMENT + 1 mm CARRIED OUT



CABINET 20 mm WITHOUT ADAPTER - DOOR 18 mm WITHOUT ADAPTER
0 + 2 mm FURTHER VERTICAL ADJUSTMENT

CABINET 20 mm WITHOUT ADAPTER - DOOR 19 mm WITHOUT ADAPTER
0 + 2 mm FURTHER VERTICAL ADJUSTMENT

CABINET 20 mm WITHOUT ADAPTER - DOOR 20 mm WITHOUT ADAPTER
0 + 2 mm FURTHER VERTICAL ADJUSTMENT




www.italianaferramenta.com