

K12 SYSTEM CONFIGURATOR:



DROP DOWN DRILLING PLANS WITH KIMANA HINGE

L 164 mm

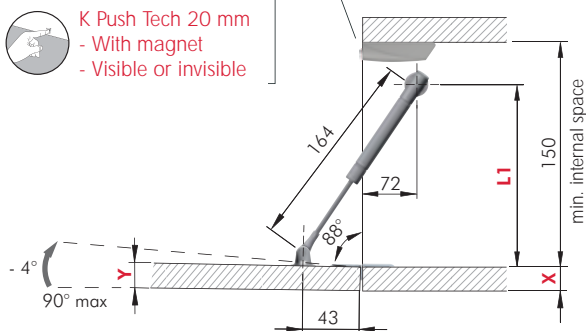


Magnet K Lock visible or invisible

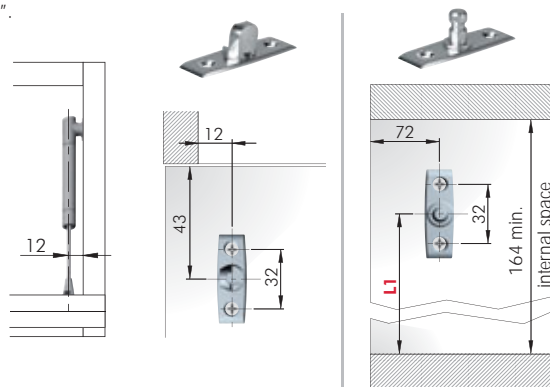


K Push Tech 20 mm
- With magnet
- Visible or invisible

For details refer to section "PUSH CATCHES & MAGNETIC CATCHES".



SCREW FIXING BRACKETS:



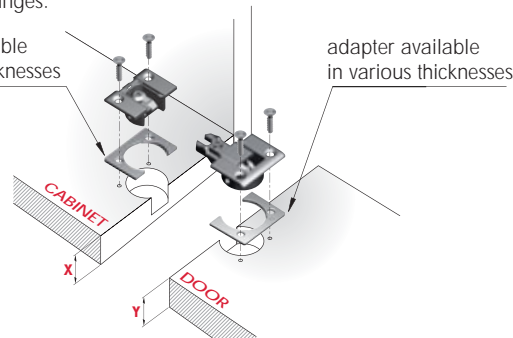
Bracket not available for K12 SYSTEM ADJ

Opening angle adjustment is possible only with K12 SYSTEM ADJ version.

⚠ Overcrossing 90° door opening angle, it negatively effects the Kimana hinges.

Cabinet (X)		Door (Y)		L1
16 mm	4 mm	16 mm	2 mm	129
16 mm	4 mm	19 mm	-	131
18 mm	2 mm	18 mm	-	129
19 mm	-	16 mm	2 mm	125
19 mm	-	19 mm	-	127
20 mm	-	20 mm	-	127

adapter available in various thicknesses



adapter available in various thicknesses

For Kimana and adapter details refer to section "HINGES".

L 244 mm

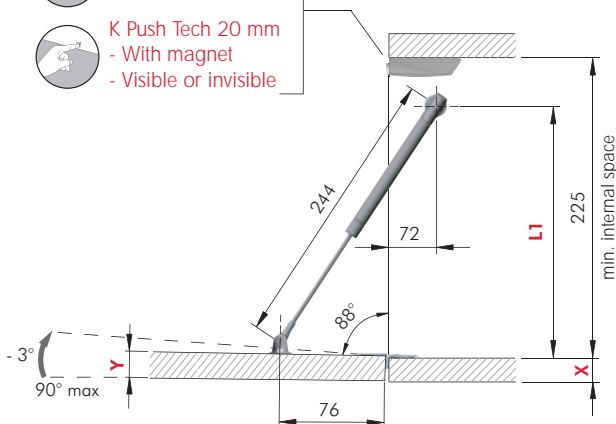


Magnet K Lock visible or invisible

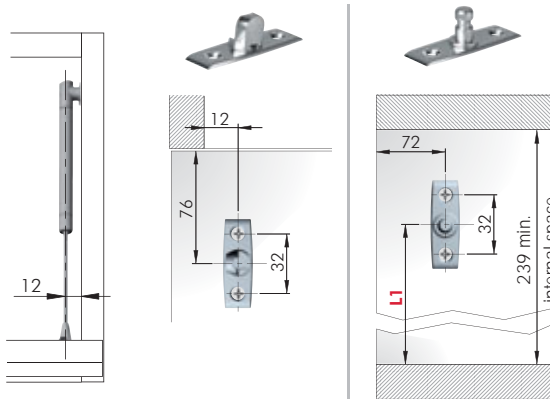


K Push Tech 20 mm
- With magnet
- Visible or invisible

For details refer to section "PUSH CATCHES & MAGNETIC CATCHES".



SCREW FIXING BRACKETS:



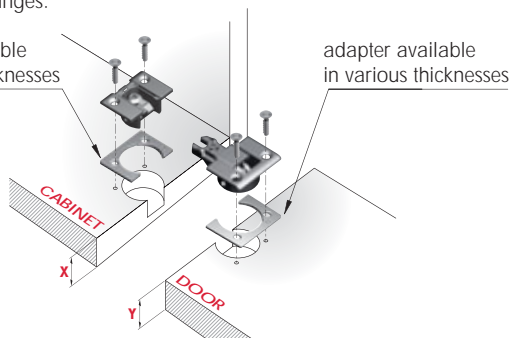
Bracket not available for K12 SYSTEM ADJ

Opening angle adjustment is possible only with K12 SYSTEM ADJ version.

⚠ Overcrossing 90° door opening angle, it negatively effects the Kimana hinges.

Cabinet (X)		Door (Y)		L1
16 mm	4 mm	16 mm	2 mm	208
16 mm	4 mm	19 mm	-	210
18 mm	2 mm	18 mm	-	208
19 mm	-	16 mm	2 mm	204
19 mm	-	19 mm	-	206
20 mm	-	20 mm	-	206

adapter available in various thicknesses



adapter available in various thicknesses

For Kimana and adapter details refer to section "HINGES".