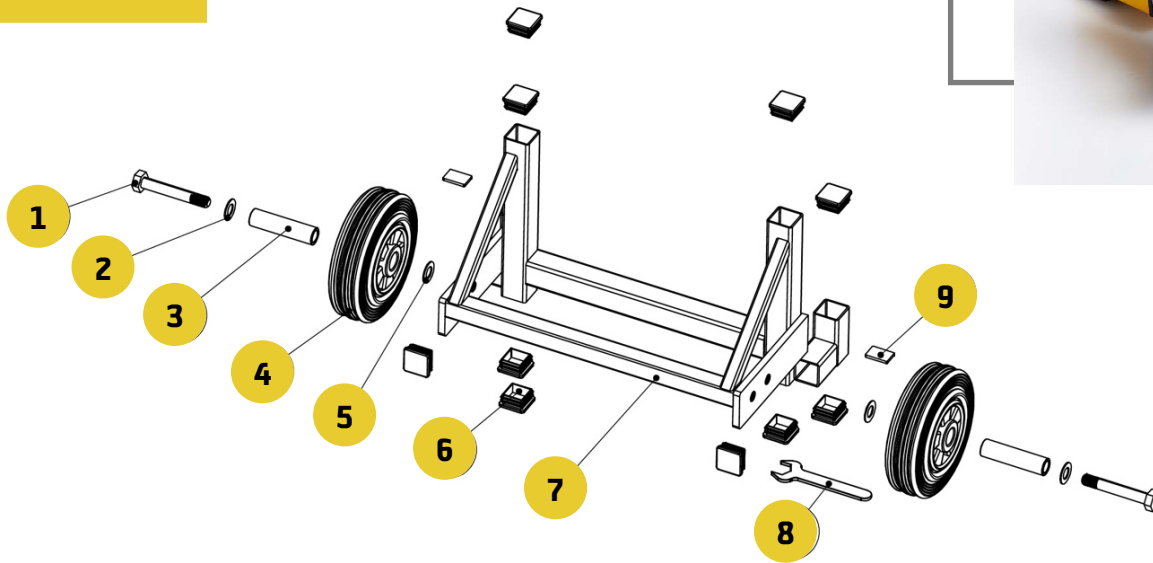




# Parts



1	Threaded Bolt x 2
2	Flat Washer x 2
3	Spacer x 3
4	Wheel x 2
5	Spring Washer x 2
6	End cap x 10 (fitted)
7	Frame x 1
8	Spanner x 1 (provided)
9	Cushion Pad x 2 (fitted)

# Assembly instructions

- Remove the product from the packaging and safely recycle all packaging.
- Measure and check the plinth height of the cabinet unit.
- Select the relevant hole location which relates to the plinth height required.
- Add the spacer (No.3) into the wheels.
- Fit the two wheels (No.4) using the screw threaded bolts (No.1) and washers (No.2&5) supplied on each side of the frame (No.7) ensuring they are in line and level.
- Tighten both wheels securely with the spanner (No.8) provided and you are ready to go.

# Instruction for use

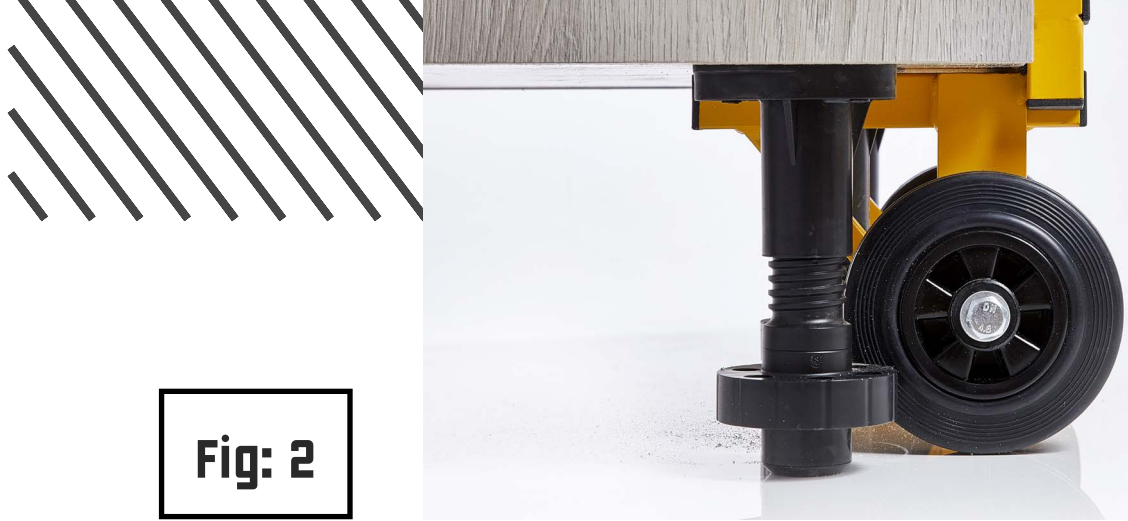
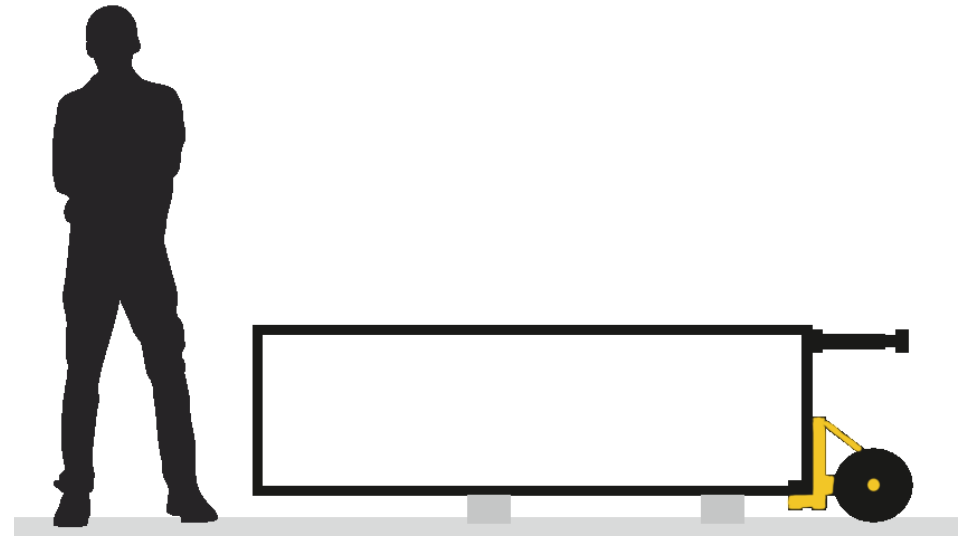
Fig: 1

- Lay the kitchen cabinet unit on the floor using spacers to protect the front of the cabinet.
- Fix the legs to the base and adjust to the plinth height.



Fig: 2

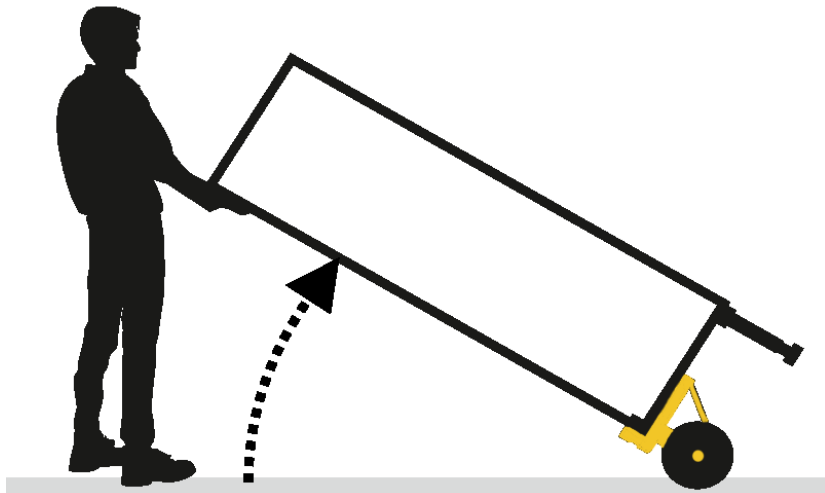
- Lift the base of the kitchen cabinet slightly and slide your Fitter's Mate into position
- Check that the kitchen cabinet unit is secure and stable



## Continued...

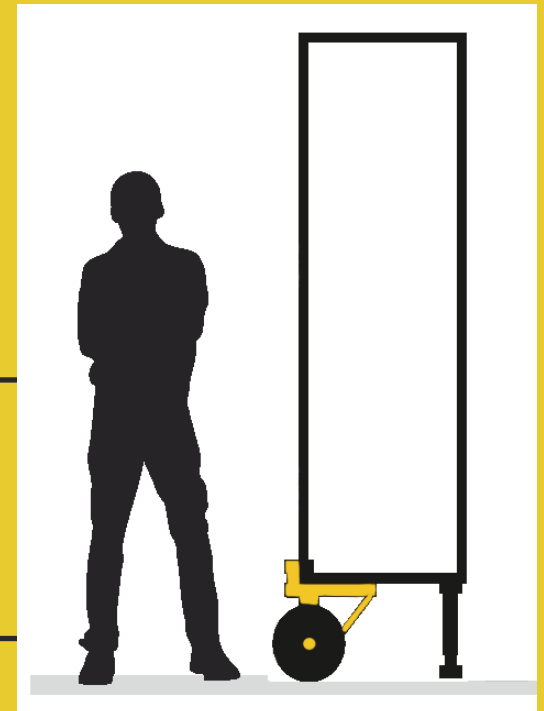
**Fig: 3**

- Lift unit onto the wheels and manoeuvre into position
- When the kitchen cabinet unit is in the right location stand the unit upright
- Follow manual handling guidelines



**Fig: 4**

- When the kitchen cabinet unit is upright and in place, tilt the cabinet backwards slightly and remove the Fitter's Mate



For further guidance and to see Fitter's Mate in action, check out our video at [www.fittersmate.com](http://www.fittersmate.com)